

**SUZUKI**  
**PARTS CATALOGUE**

**DR800S**

(SR43A/SR43B)

**DR800SV**

**DR800SUV**

1999-5

**3**RD EDITION

This part catalogue supersedes all the following part catalogue with immediate effect.

Model of catalogue	Part catalogue No.
DR800S(U)V	9900B-30110-001

INFORMATION  
ILLUSTRATION INDEX

**1**

ENGINE  
TRANSMISSION

**2**

ELECTRICAL

**3**

BODY

**4**

PARTS NUMBER INDEX

**5**

**DR800SV**  
**DR800SUV**

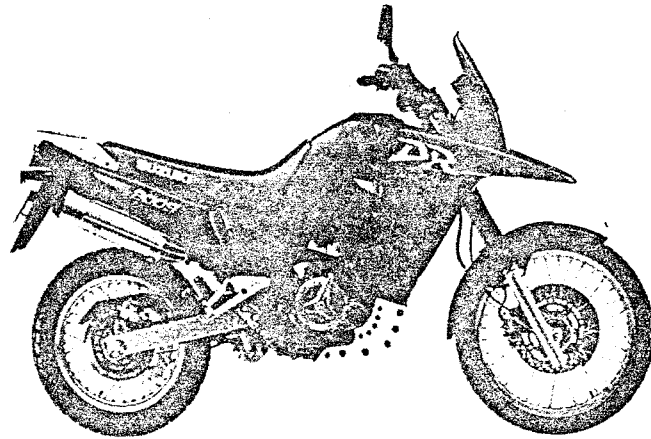


PHOTO : DR800SV

## PREFACE

1

When it becomes necessary to replace parts on SUZUKI MOTORCYCLES, always use SUZUKI GENUINE PARTS which have passed a strict inspection which guarantees quality and performance.

This parts catalogue covers the list of all service parts for SUZUKI DR800SV, DR800SUV.

### INSTRUCTIONS FOR QUOTING THE CATALOGUE

#### 1. DIMENSIONS

Dimensions of the parts in this catalogue are indicated in unit millimeters.

#### 2. ABBREVIATIONS

Abbreviations used in this catalogue are as follows:

AR	: As required	NT	: Number of teeth
ASSY	: Assembly	OPT	: Optional
E.No.	: Engine number	OS	: Over size
F.No.	: Frame number	STD	: Standard
d	: Diameter of material	T	: Thickness
ID	: Inside diameter	US	: Under size
OD	: Outside diameter	W	: Width
L	: Length		
LH	: Left hand side		
RH	: Right hand side		
~100045	: Up to F.No.SR43A/SR43B-100045		
100046~	: From F.No.SR43A/SR43B-100046		

12 x 34 x 5.6 ..... Figures in the description column  
show the dimensions of parts.

ID OD T(or W, L)

→12345-56781 (Parts No.) : indicates that the parts number was changed to 12345-56781 and the new parts are interchangeable with the former ones but the former ones are not interchangeable with new ones.

←12345-56781 (Parts No.) : indicates that the former and new parts are interchangeable with each other and both are usable.

#### 3. INNER PARTS OF ASSEMBLY

Part name with a dot ( . ) in front as shown in the description column indicates the component of the assembly also available individually.

#### 4. MODIFICATION NOTICE

A parts bulletin will be sent to you on all occasions when changes in parts occur, including interchangeable modifications between new parts and old ones.

#### 5. NOTE

- 5-1. There are some different parts from those of production models among spare parts for the administrative reasons and common use of them with other models.
- 5-2. In respect of rubber hoses and vinyl tubes, please be sure to use them by cutting off according to the length mentioned on parts catalogue or what is actually required on the vehicle.
- 5-3. Note that the drawings on the illustration page are for ready reference of spare parts number, not to be used as an assembly manual.  
When assembling, use "SUZUKI SERVICE MANUAL".

#### 6. SPECIFICATION CODE

This catalogue contains the parts for the model designed for the following spec. ;  
spec. code : DR800SV : E4,E22,E34,E37.  
DR800SUV : E22.

#### 7. SERIAL FRAME NUMBER

DR800SV (E4) : SR43A-109347~  
DR800SV/SUV (E22) : SR43B-105521~  
DR800SV (E34) : JS1SR43A000500232~

COLOR CHART  
TABLEAU DES COULEURS

MILLIMETER → INCH CONVERSION CHART

COLOR NO. NO DE COULEUR	COLOR DESCRIPTION DESCRIPTION DE COULEUR	COLOR NO. NO DE COULEUR	COLOR DESCRIPTION DESCRIPTION DE COULEUR
A4D	4UN,6NF	20G	CHARCOAL GRAY METALLIC
G5L	Y0V,13L,33J,25Y,Z66	20H	WARM SILVER METALLIC
G5M	33J,1ZZ,22U,25Y,Z66	22U	CANDY ACADEMY MAROON
G5N	Y0V,13L,Z66,33J	24K	LIGHT CHARCOAL METALLIC
G5P	33J,1ZZ,Z66,22U	25Y	MARBLE SCIENCE YELLOW
G5R	25Y,Z66,20G	29I	BLACK (SEMI-GLOSS)
G5S	25Y,Z66,019	30H	SPECIAL WHITE
M6W	17U,Y2D,019,Y0W,1LF	33J	PEARL NOVELTY BLACK
M6Y	17U,Y2D,019,1LF	4UN	ROYAL BLACK
M6Z	0AT,YB1,1LF	6NF	CRYSTAL GRAY
YB1	HAIR LINE CHROME RED METALLIC		
Y0V	CDY. MARINE BLUEISH GREEN		
Y0W	CANDY KORAN ORANGE		
Y2D	FLASU SILVER METALLIC		
Z66	CANDY PHARAOH YELLOW		
0AT	SILVER		
019	BLACK		
1LF	PRL DEEP BLUE		
1LU	DR GRAY		
1ZZ	URBAN MIDIAM GRAY METALLIC		
13L	BRIGHT SILVER METALLIC		
17U	GRAY METALLIC		

	0	1	2	3	4	5	6	7	8	9
00	.000	.039	.079	.118	.157	.197	.236	.276	.315	.354
10	.394	.433	.472	.512	.551	.591	.630	.669	.709	.748
20	.787	.827	.866	.906	.945	.984	1.024	1.063	1.102	1.142
30	1.181	1.220	1.260	1.299	1.339	1.378	1.417	1.457	1.496	1.535
40	1.575	1.614	1.654	1.693	1.732	1.772	1.811	1.850	1.890	1.929
50	1.969	2.008	2.047	2.087	2.126	2.165	2.205	2.244	2.283	2.323
60	2.362	2.402	2.441	2.480	2.520	2.559	2.598	2.638	2.677	2.717
70	2.756	2.795	2.835	2.874	2.913	2.953	2.992	3.031	3.071	3.110
80	3.150	3.189	3.228	3.268	3.307	3.346	3.386	3.425	3.465	3.504
90	3.543	3.583	3.622	3.661	3.701	3.740	3.780	3.819	3.858	3.898

How to read

	0	1	2	3	4
00	---	---	---	---	---
10	---	---	---	---	---
20	---	---	---	0.906	---
30	---	---	---	---	---

23 millimeters equal 0.906 inch

Contents are subject to change without notice or obligation.

FIG. 1 CYLINDER HEAD (B-2)

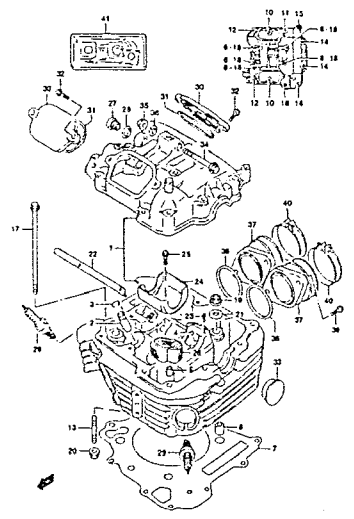


FIG. 2 CYLINDER (B-4)

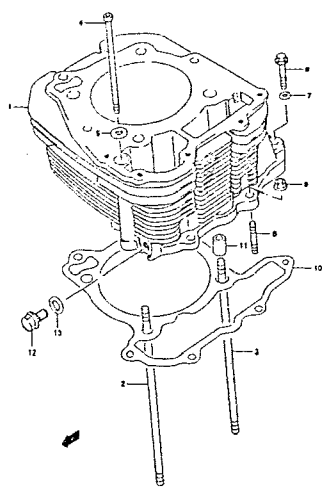


FIG. 3 CRANKCASE (B-5)

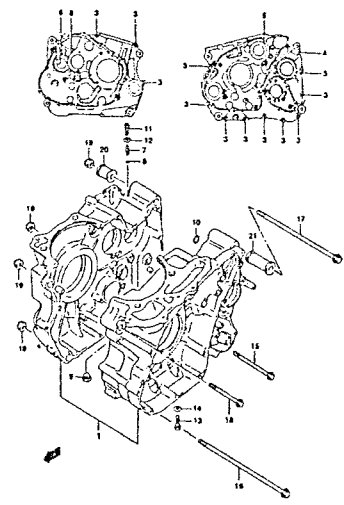


FIG. 4 CRANKCASE COVER (B-6)

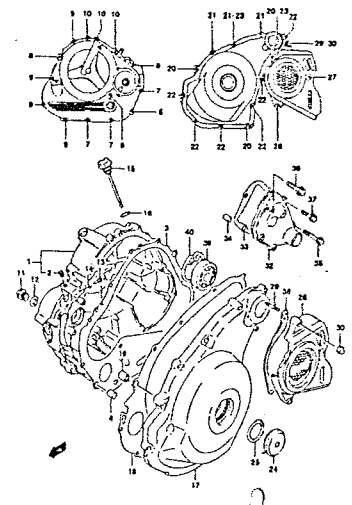


FIG. 5 CRANKSHAFT (B-8)

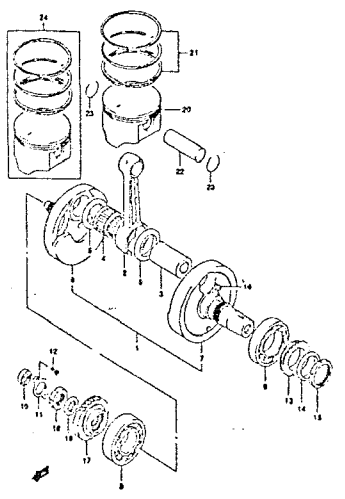


FIG. 6 STARTER CLUTCH (B-9)

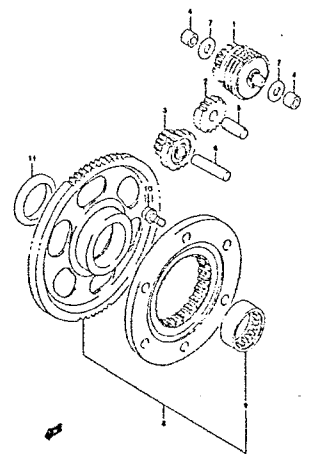


FIG. 7 CRANK BALANCER (B-10)

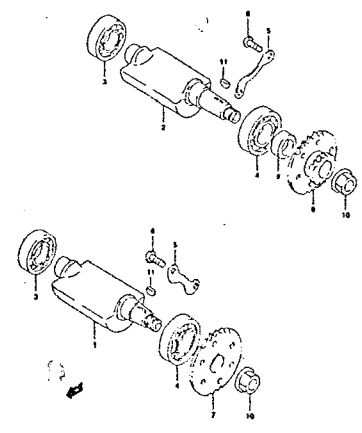


FIG. 8 BALANCER CHAIN (B-11)

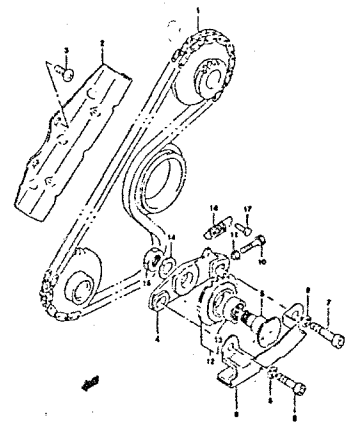


FIG.9 CAM SHAFT - VALVE (B-12)

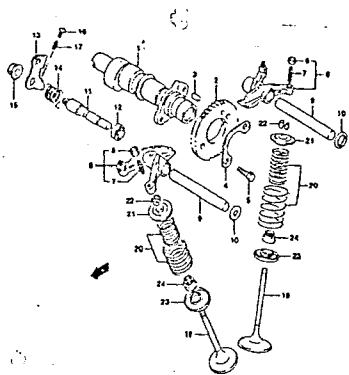


FIG.10 CAM CHAIN (B-13)

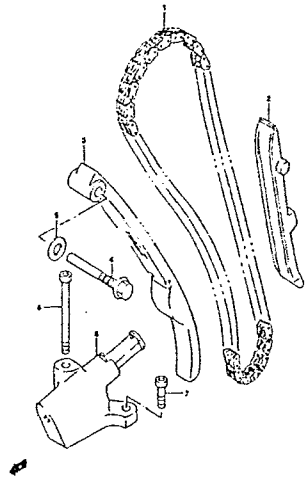


FIG.11 CARBURETOR (C-2)

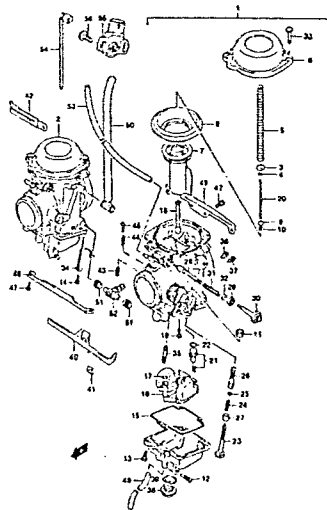


FIG.12 AIR CLEANER (C-4)

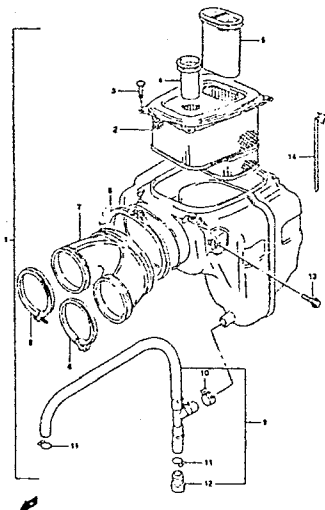


FIG.13 MUFFLER (C-5)

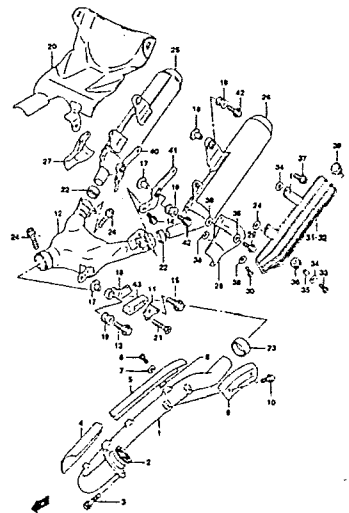


FIG.14 OIL PUMP - FUEL PUMP (C-7)

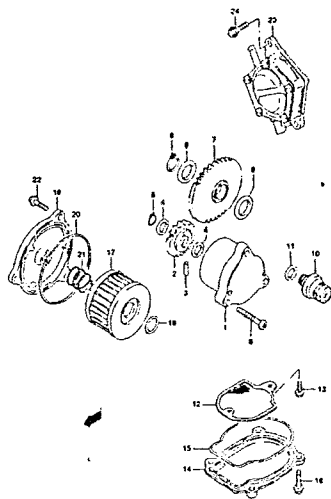


FIG.15 OIL COOLER (C-8)

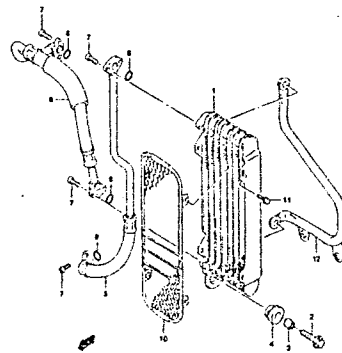


FIG.16 CLUTCH (D-2)

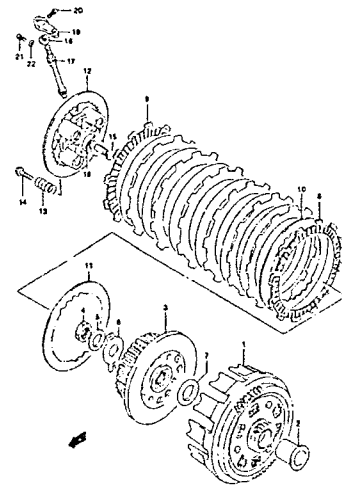


FIG.17 TRANSMISSION (D-3)

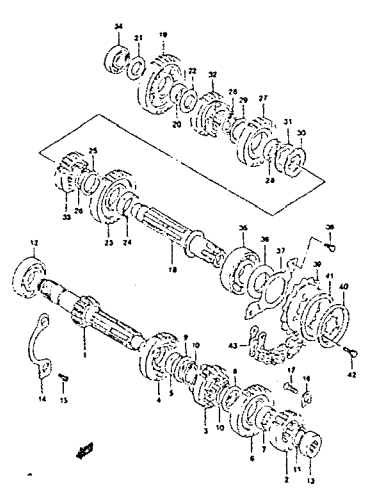


FIG.18 GEAR SHIFTING (D-5)

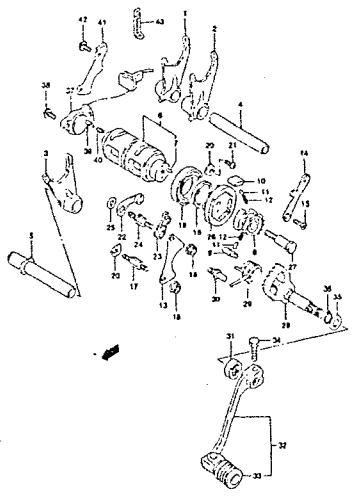


FIG.19 STARTING MOTOR (D-7)

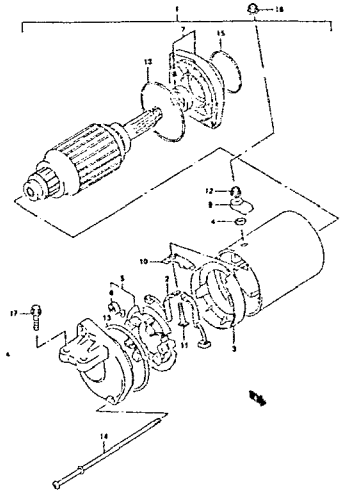


FIG.20 MAGNETO (E-2)

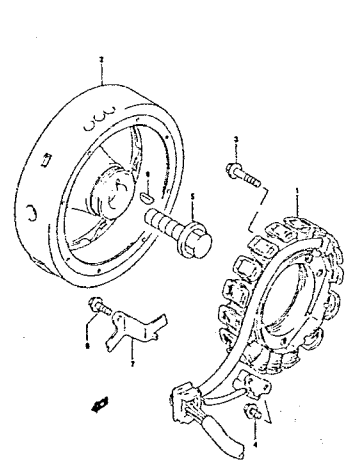


FIG.21 BATTERY (E-3)

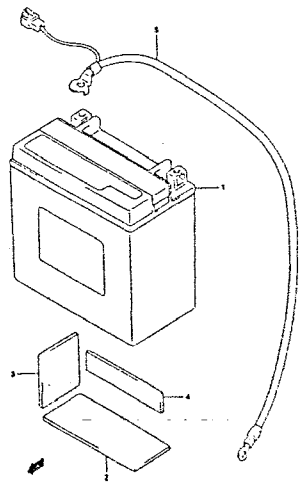


FIG.22 ELECTRICAL (E-4)

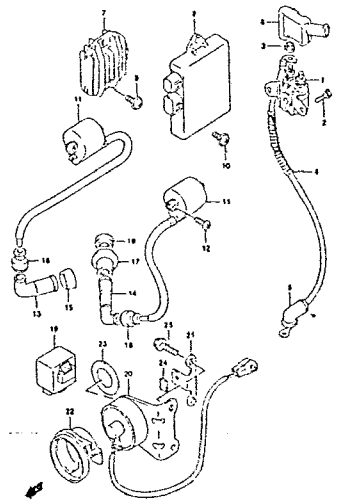


FIG.23 SPEEDOMETER (E-5)

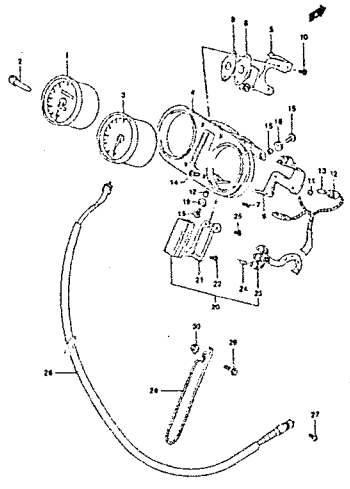


FIG.24 HEADLAMP (E-6)

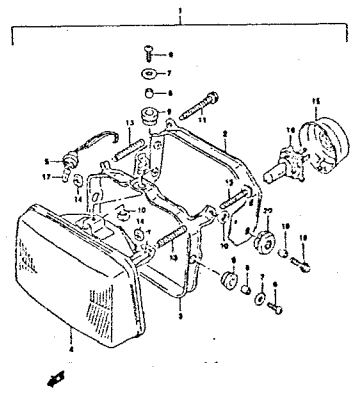




FIG.25 TURN SIGNAL LAMP (E-7)

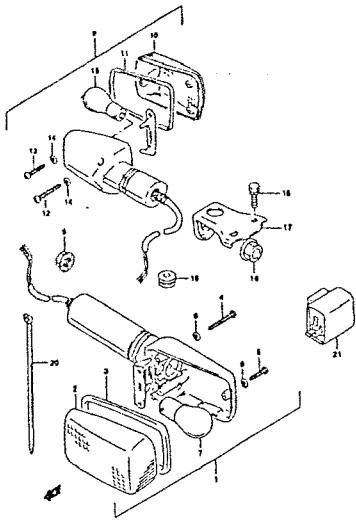


FIG.26 REAR COMBINATION LAMP (E-8)

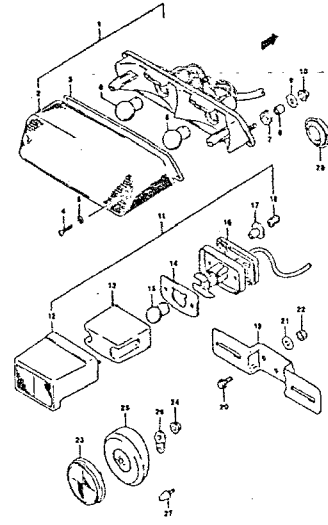


FIG.27 WIRING HARNESS (E-9)

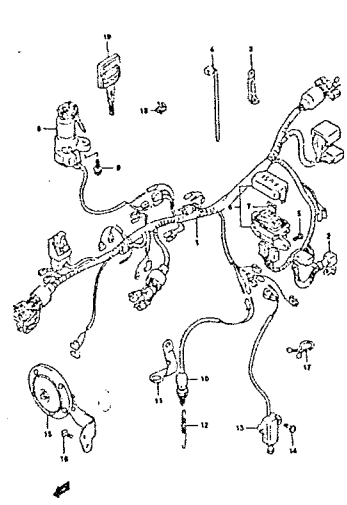


FIG.28 HANDLE SWITCH (E-10)

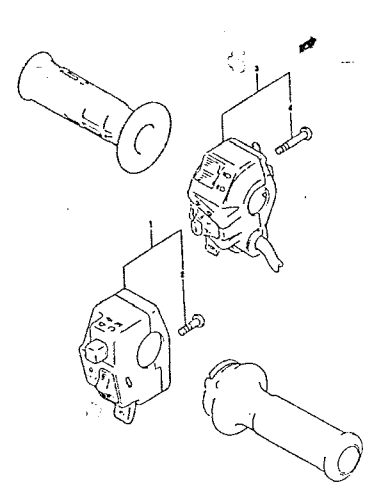


FIG.29 FRAME (F-2)

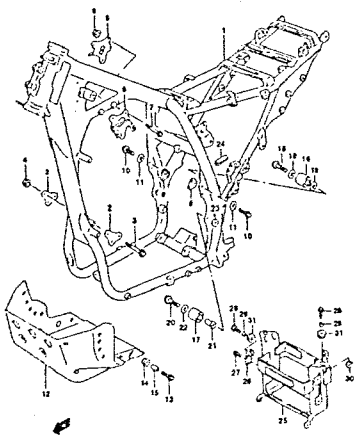


FIG.30 STAND - REAR BRAKE (F-3)

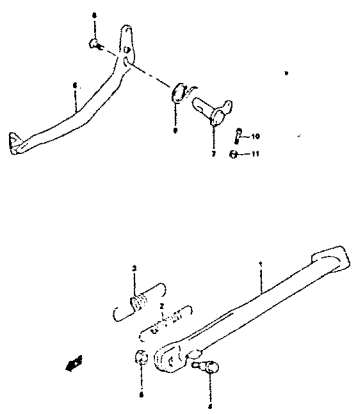


FIG.31 FOOTREST (F-4)

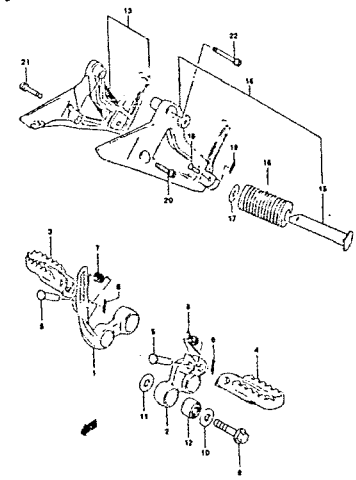
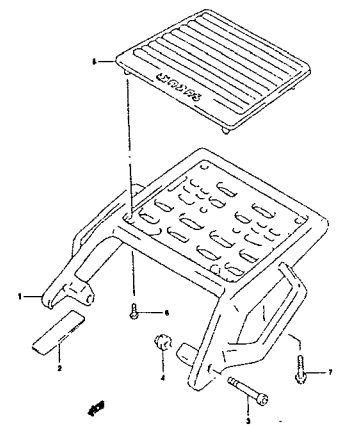


FIG.32 SPORT CARRIER (F-5)



G.33 FUEL TANK (F-6)

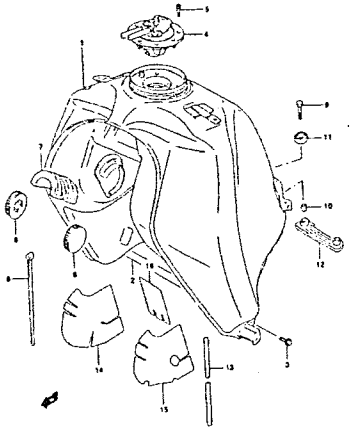


FIG.34 FUEL COCK (F-7)

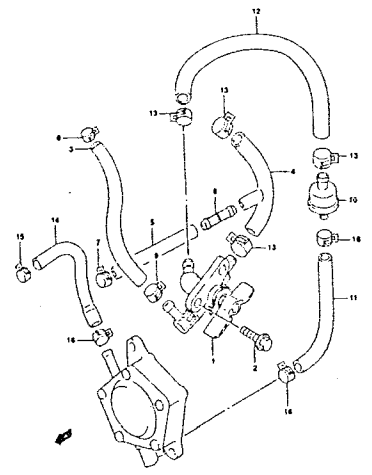


FIG.35 FRAME COVER (F-8)

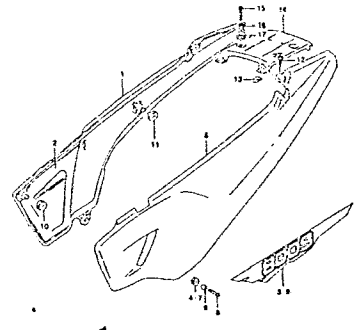


FIG.36 FRONT FENDER (F-9)

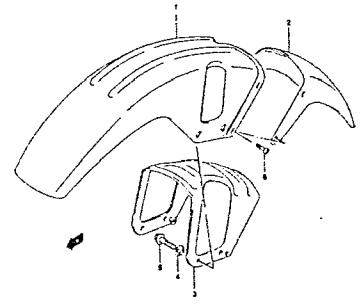


FIG.37 HANDLEBAR (G-2)

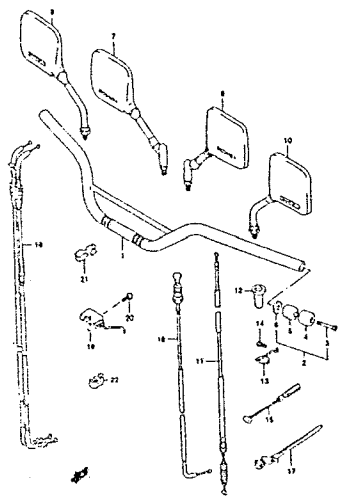


FIG.38 RIGHT HANDLE LEVER (G-3)

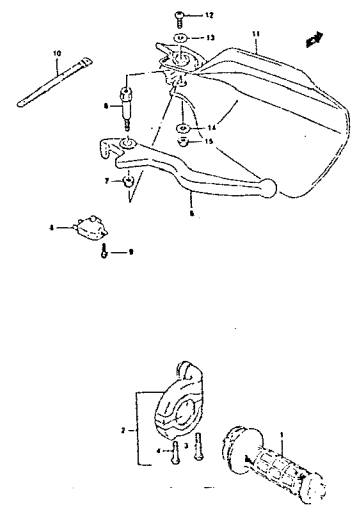


FIG.39 LEFT HANDLE LEVER (G-4)

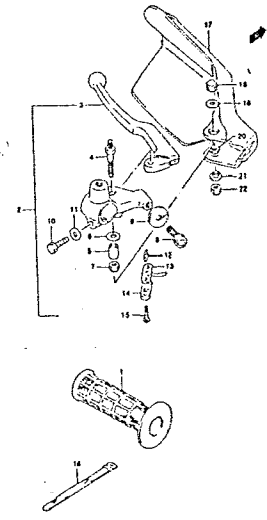


FIG.40 REAR FENDER (G-5)

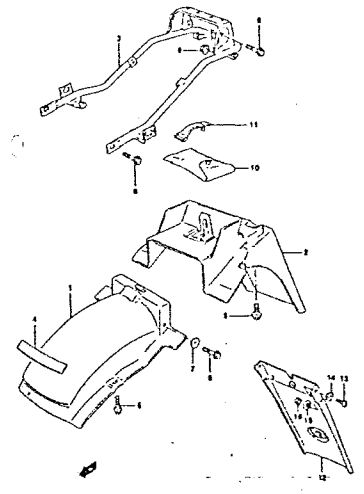




FIG.49 FRONT MASTER CYLINDER (I-7)

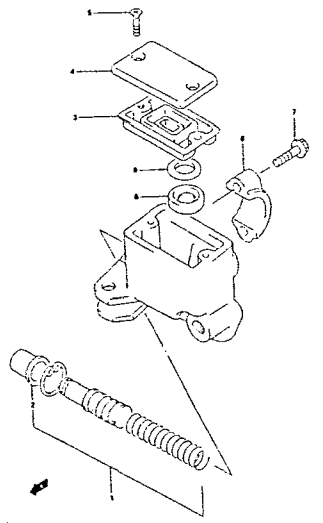


FIG.50 REAR SWINGING ARM (I-2)

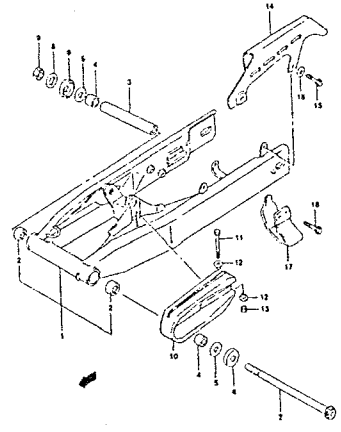


FIG.51 REAR CUSHION LEVER (I-3)

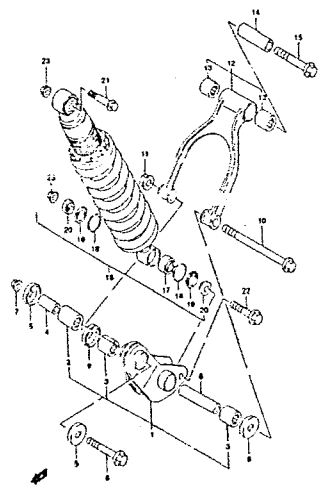


FIG.52 REAR WHEEL (I-4)

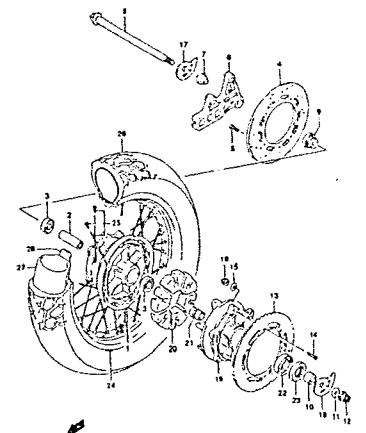


FIG.53 REAR CALIPER (I-5)

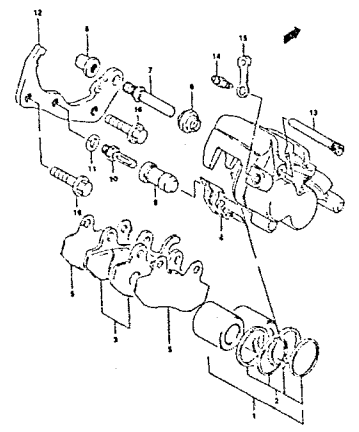


FIG.54 REAR MASTER CYLINDER (I-6)

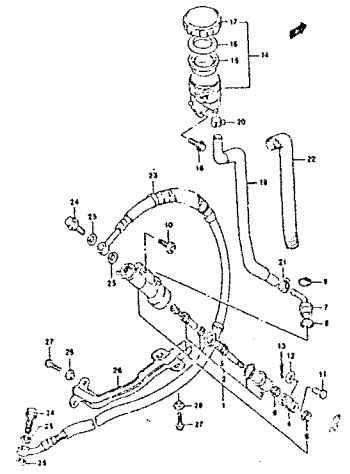


FIG.55 OPTIONAL (I-7)

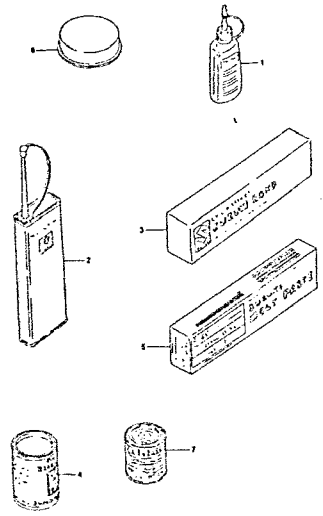
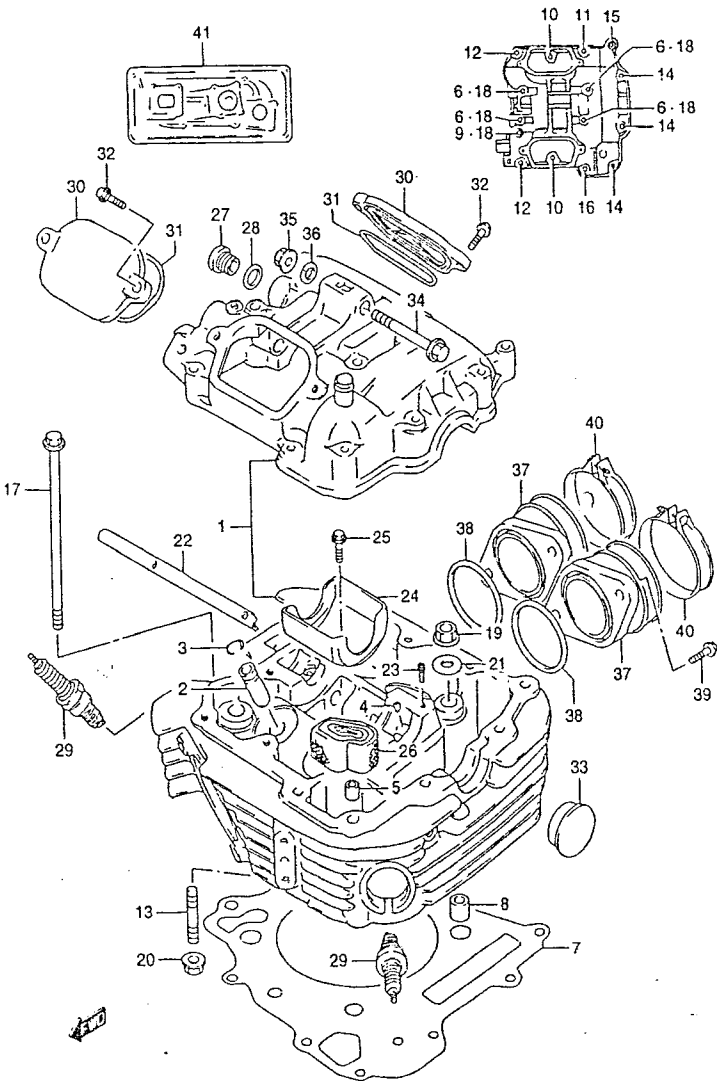


FIG.1

FIG.1 (B-2) CYLINDER HEAD



REF NO.	PART NO.	DESCRIPTION	QTY	REMARKS
1	11100-31D00	HEAD ASSY, CYLINDER	1	
2	11115-44B70	·GUIDE, VALVE	4	
3	09381-10003	·RING, VALVE GUIDE	4	
4	11180-43410	·JET, OIL GALLERY	2	
5	09206-08001	·PIN	2	
6	09103-06102	·BOLT (6X55)	4	
7	11141-44B01	GASKET, CYLINDER HEAD	1	
8	04211-13189	PIN	2	
9	01550-06163	BOLT	1	
10	01550-06253	BOLT	2	
11	01550-06303	BOLT	1	
12	01550-06353	BOLT	2	
13	09108-08206	STUD BOLT (L:18)	2	
14	09103-06033	BOLT (6X125)	3	
15	09103-06052	BOLT (6X115)	1	
16	09103-06067	BOLT (6X105)	1	
17	09103-08224	BOLT (8X155)	1	
18	09168-06023	GASKET	5	
19	08316-10103	NUT	4	
20	08316-10083	NUT	2	
21	09160-10060	WASHER	4	
22	11131-31D00	PIPE, OIL	1	
23	09134-06012	SCREW (6X19.5)	1	
24	11135-44B00	PLATE, OIL CHAMBER	1	
25	01550-06103	BOLT	1	
26	11186-44B01	SEPARATOR, OIL	1	
27	09248-14005	PLUG, HEAD COVER	2	
28	09168-14002	GASKET	2	
29-1	09482-00330	SPARK PLUG (NGK, DPR8EA-9)	2	
29-2	09482-00334	SPARK PLUG (NGK, DPR8EA-9)	2	OPT
30	11175-44B00	CAP, INSPECTION	2	

2



FIG.2

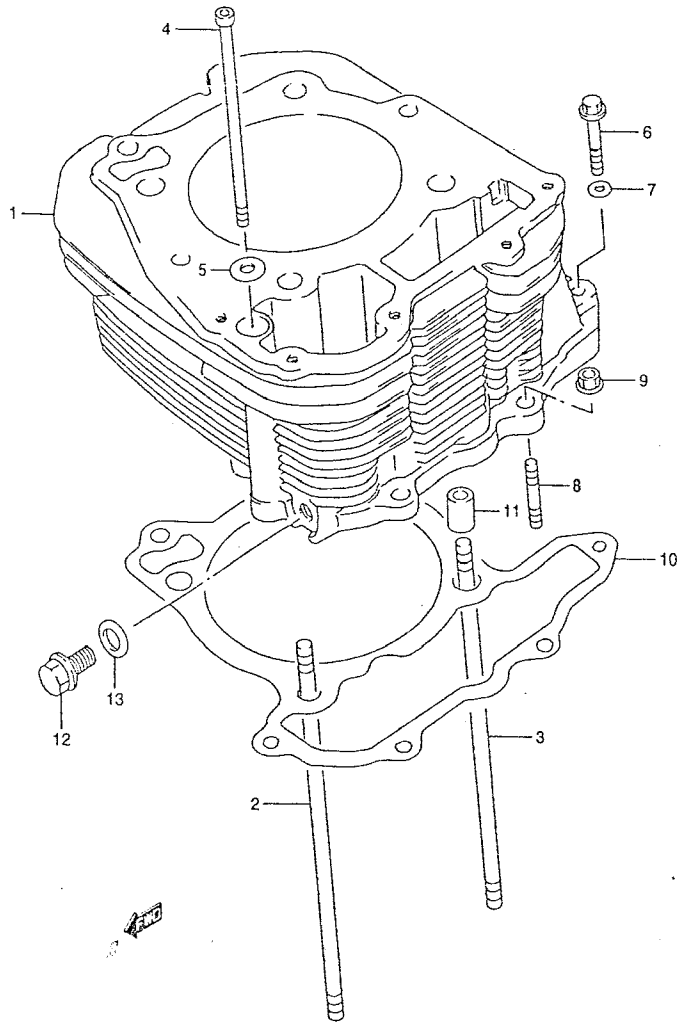


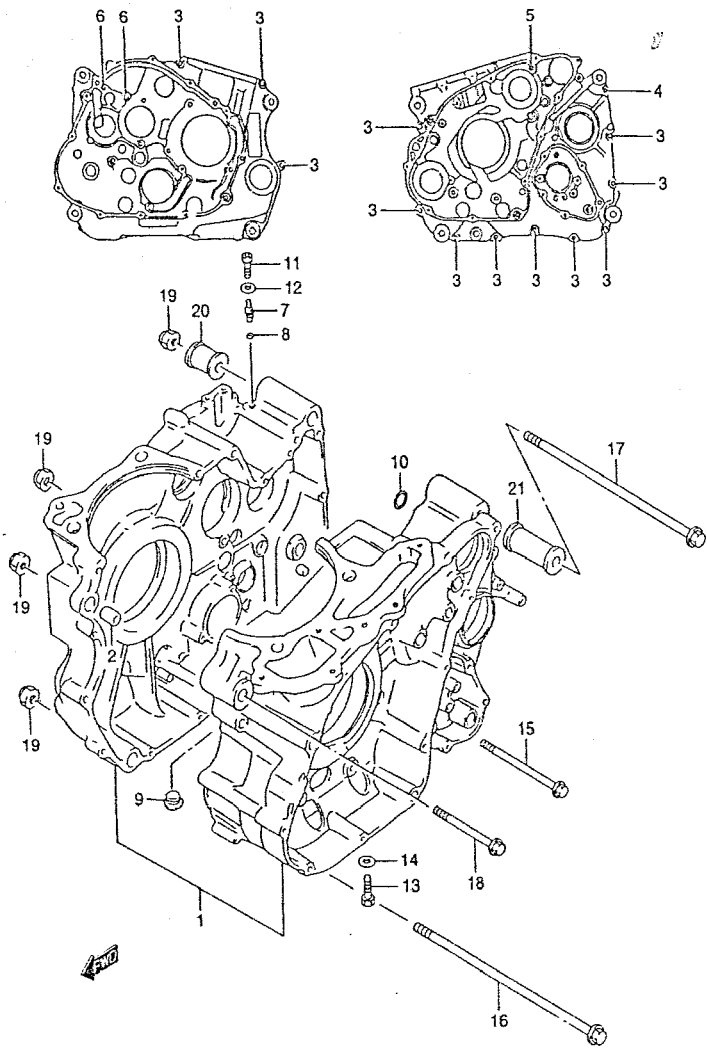
FIG.2 (B-4) CYLINDER

REF. NO.	PART NO.	DESCRIPTION	QTY	REMARKS
1	11210-45B01-20H	CYLINDER	1	
2	09108-10094	STUD BOLT (L:200)	3	
3	09108-10103	STUD BOLT (L:195)	1	
4	09106-07012	BOLT (7X115)	1	
5	09168-07003	GASKET	1	
6	01550-06407	BOLT	1	
7	09168-06023	GASKET	1	
8	01421-06208	STUD BOLT (L:20)	2	
9	08316-10067	NUT	2	
10	11241-44B01	GASKET, CYLINDER	1	
11	04211-13189	PIN	2	
12	01550-10163	PLUG, ADJUSTER HOLE	1	
13	09168-10031	GASKET	1	

2

**FIG.3**

**2**



**FIG.3 (B-5) CRANKCASE**

REF NO.	PART NO.	DESCRIPTION	QTY	REMARKS
1	11301-44841	CRANKCASE SET	1	--11301-44840
2	04211-13189	·PIN	2	
3	01547-06403	·BOLT	12	
4	01547-06607	·BOLT	1	
5	01547-06653	·BOLT	1	
6	01547-06753	·BOLT	2	
7-1	09493-24009	·JET, OIL NO.1 (120)	1	
7-2	09493-32006	·JET, OIL NO.2 (160)	1	
8	09280-04004	·O RING, OIL JET (D:1.2, ID:4.0)	2	
9	09248-16004	·PLUG, OIL GALLERY	1	
10	09280-11004	·O RING, OIL GALLERY (D:1.9, ID:11.0)	1	
11	07130-08127	·PLUG, OIL GALLERY	1	
12	09168-08008	·GASKET	1	
13	01500-12203	·PLUG, OIL DRAIN	1	
14	09168-12002	·GASKET	1	
15	09103-10122	BOLT (10X130)	1	
16	09103-10190	BOLT (10X215)	1	
17	09103-10238	BOLT (10X230)	1	
18	09103-10051	BOLT (10X70)	1	
19	09159-10058	NUT	4	
20	11610-17600	SPACER (L:32)	1	
21	11610-14A10	SPACER (L:60)	1	



FIG.4

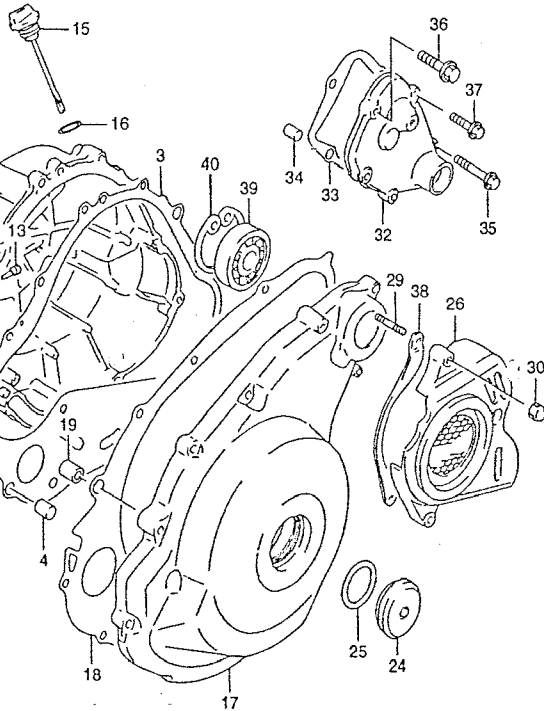
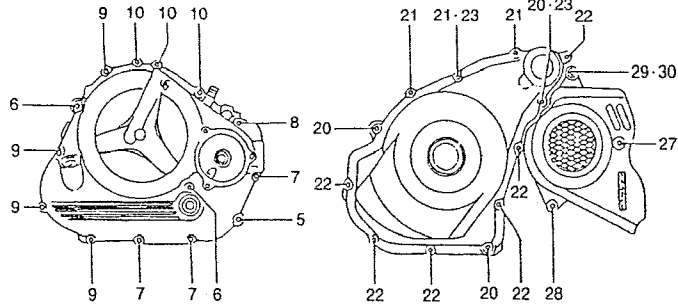


FIG.4 (B-6) CRANKCASE COVER

REF NO.	PART NO.	DESCRIPTION	QTY	REMARKS
1	11340-44B02-20H	COVER, CLUTCH	1	
2	09246-05006	PLUG, OIL GALLERY	1	
3	11482-44B10	GASKET, CLUTCH COVER	1	
4	04211-13189	PIN	2	
5	01547-06607	BOLT	1	
6	01547-06507	BOLT	2	
7	01547-06457	BOLT	3	
8	01547-06407	BOLT	1	
9	01547-06307	BOLT	4	
10	01547-06257	BOLT	3	
11	09247-14015	PLUG, OIL GALLERY	1	
12	09168-14002	GASKET	1	
13	09493-36003	JET, OIL GALLERY	1	
14	09280-04004	O RING (D:1.2, ID:4.0)	1	
15	11970-44B30	GAUGE, OIL LEVEL	1	
16	09280-17003	O RING (D:3.1, ID:16.8)	1	
17	11351-44B11-20H	COVER, MAGNETO	1	
18	11483-44B11	GASKET, MAGNETO COVER	1	
19	04211-13189	PIN	2	
20	01547-06457	BOLT	3	
21	01547-06357	BOLT	3	
22	01547-06257	BOLT	6	
23	09168-06024	GASKET (5.8X11X1.2)	2	
24	09259-36016-20H	PLUG	1	
25	09280-33004	O RING (D:3.1, ID:32.7)	1	
26	11360-44B00-20H	COVER, ENGINE SPROCKET	1	
27	01547-06307	BOLT	1	
28	01547-06257	BOLT	1	
29	09108-06107	STUD BOLT (L:27)	1	
30	08313-20067	NUT	1	

2

FIG.4

FIG.4 (B-7) CRANKCASE COVER

REF NO.	PART NO.	DESCRIPTION	QTY	REMARKS
32	11371-44B00-20H	COVER, GEAR SHIFT	1	
33	11485-44B10	GASKET, GEAR SHIFT COVER	1	
34	04211-09129	PIN	2	
35	01547-06303	BOLT	2	
36	01547-06253	BOLT	2	
37	01547-06163	BOLT	1	
38	27641-44B01	PLATE, CHAIN GUIDE	1	
39	09262-12001	BEARING, STARTER PINION (12X28X8)	1	
40	08331-41286	CIRCLIP	1	

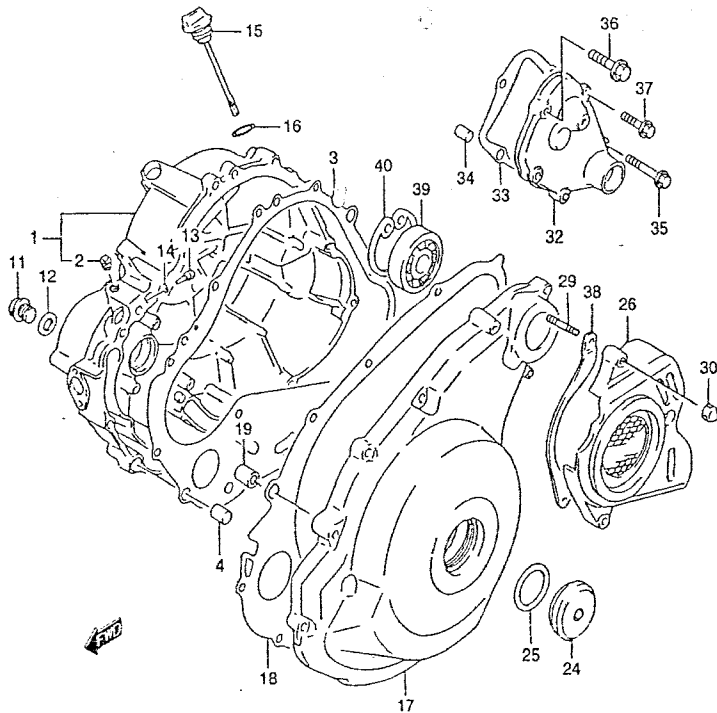
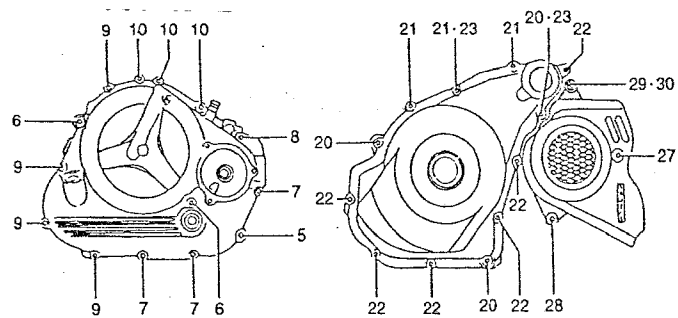


FIG.5

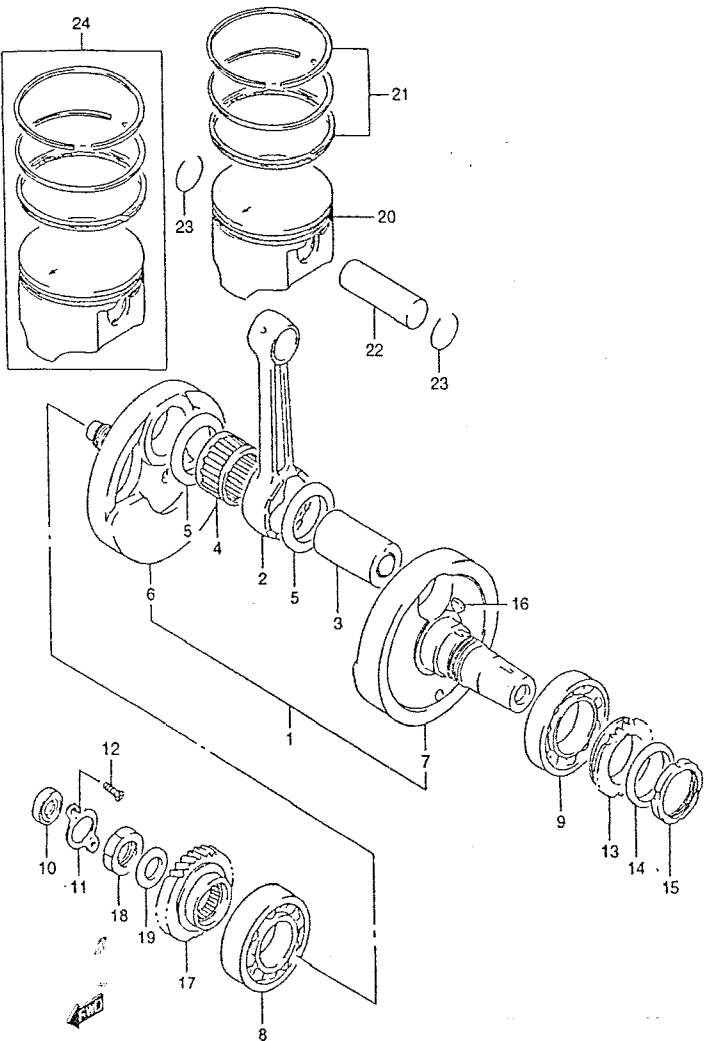


FIG.5 (B-8) CRANKSHAFT

REF NO.	PART NO.	DESCRIPTION	QTY	REMARKS
1	12200-31D00	CRANKSHAFT ASSY	1	
2	12161-45B00	ROD, CONNECTING	1	
3	12210-31D00	PIN, CRANK	1	
4	09263-41005	BEARING (41X51X24.8)	1	
5	09160-41002	WASHER	2	
6	12221-45B01	CRANKSHAFT, RH	1	
7	12261-45B00	CRANKSHAFT, LH	1	
8	09262-40007	BEARING, RH (40X90X23)	1	
9	09262-45007	BEARING, LH (45X85X19)	1	
10	09282-16002	OIL SEAL, RH (16X30X6)	1	
11	12548-37400	PLATE, OIL SEAL, RH	1	
12	02112-05103	SCREW	2	
13	12662-44B00	SPROCKET, BALANCER DRIVE	1	NT:25
14	09164-40003	WASHER	1	
15	12664-44B00	NUT	1	
16	09420-04008	KEY	1	
17	21111-44B10	GEAR, PRIMARY DRIVE (NT:33)	1	
18	09140-22012	NUT	1	
19	09164-22007	LOCK WASHER	1	
20	12111-31D00-0F0	PISTON	1	
21	12140-44B10	RING SET, PISTON	1	
22	12151-44B00	PIN, PISTON	1	
23	09381-26002	CIRCLIP	2	
24-1	12100-31D00-050	PISTON SET (OS:0.5)	1	OPT
24-2	12100-31D00-100	PISTON SET (OS:1.0)	1	OPT

2

**FIG.6**

**FIG.6 (B-9) STARTER CLUTCH**

REF NO.	PART NO.	DESCRIPTION	QTY	REMARKS
1	12600-31D01	LIMITER ASSY, STARTER IDLE GEAR	1	
2	12612-31D00	GEAR, STARTER IDLE NO.2	1	NT:14
3	12613-31D00	GEAR, STARTER IDLE NO.3	1	NT:10:18
4	12618-31D01	BUSH, LIMITER SHAFT	2	
5	09202-10006	PIN, IDLE GEAR NO.2 (10X28)	1	
6	09202-10010	PIN, IDLE GEAR NO.3 (10X45)	1	
7	08211-10221	WASHER	2	
8	12600-44841	CLUTCH SET, STARTER	1	
9	09263-35024	BEARING (35X43X18)	1	
10	07130-08163	BOLT (8X16)	6	
11	08211-40523	WASHER	1	

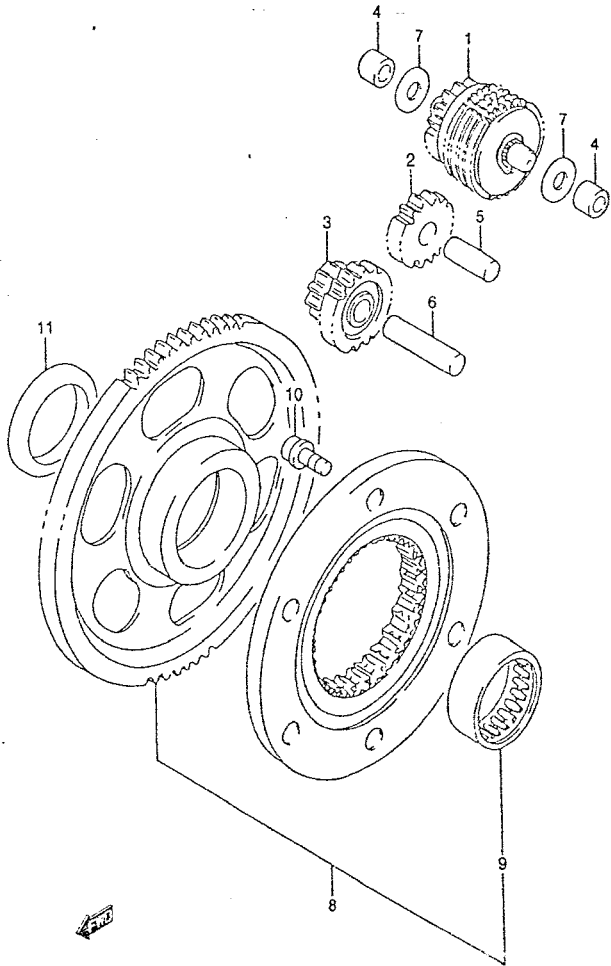


FIG.7

FIG.7 (B-10) CRANK BALANCER

REF NO.	PART NO.	DESCRIPTION	QTY	REMARKS
1	12651-44B01	BALANCER, CRANK, FRONT	1	
2	12652-44B01	BALANCER, CRANK, REAR	1	
3	09262-20106	BEARING, RH (20X42X12)	2	
4	09262-20121	BEARING, LH (20X47X14)	2	
5	12659-44B00	RETAINER, BEARING	2	
6	02112-06123	SCREW	4	
7	12665-44B00	SPROCKET, FRONT (NT:25)	1	
8	12675-44B00	SPROCKET, REAR (NT:17/25)	1	
9	12676-44B01	SPACER, REAR	1	
10	08316-10123	NUT	2	
11	09420-03008	KEY	2	

2

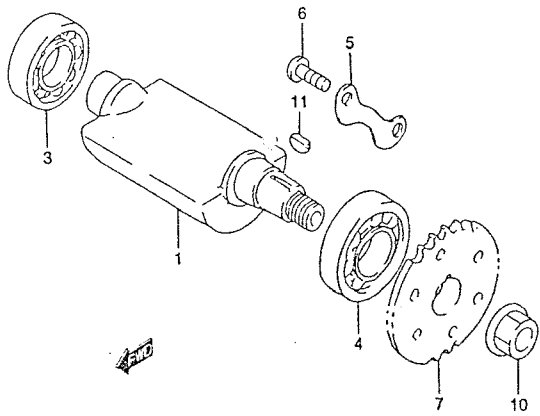
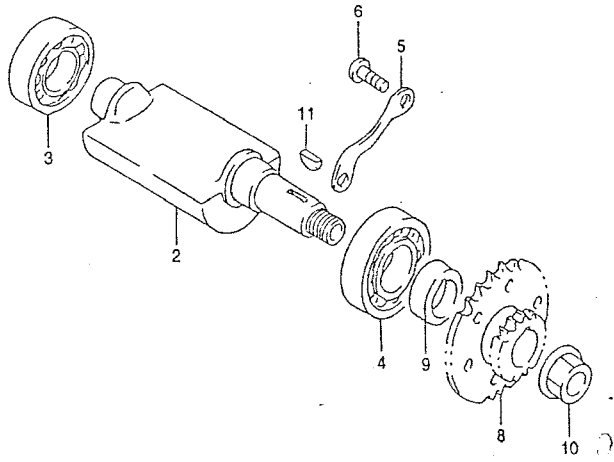


FIG.8

FIG.8 (B-11) BALANCER CHAIN

REF NO.	PART NO.	DESCRIPTION	Q'TY	REMARKS
1	12670-31D00	CHAIN, BALANCER - 12760 4480046		
2	12695-44B00	GUIDE, CHAIN	1	
3	02112-06123	SCREW	2	
4	12661-44B00	BRACKET, CHAIN TENSIONER	1	
5	12682-14A01	SHAFT, CHAIN TENSIONER	1	
6	09106-08005	BOLT, FRONT (6X22)	1	
7	07130-08303	BOLT, REAR (6X30)	1	
8	08321-01083	LOCK WASHER	2	
9	12696-31D00	GUIDE, CHAIN TENSIONER	1	
10	01500-05163	BOLT (5X16)	1	
11	09140-05006	NUT	1	
12	12685-44B00	SPROCKET, TENSIONER (NT:19)	1	
13	09263-17007	BEARING (17X23X12)	1	
14	09162-12006	LOCK WASHER	1	
15	09140-12021	NUT	1	
16	09443-10040	SPRING	1	
17	09223-04001	HOOK	1	INCLUDED CRANKCASE SET

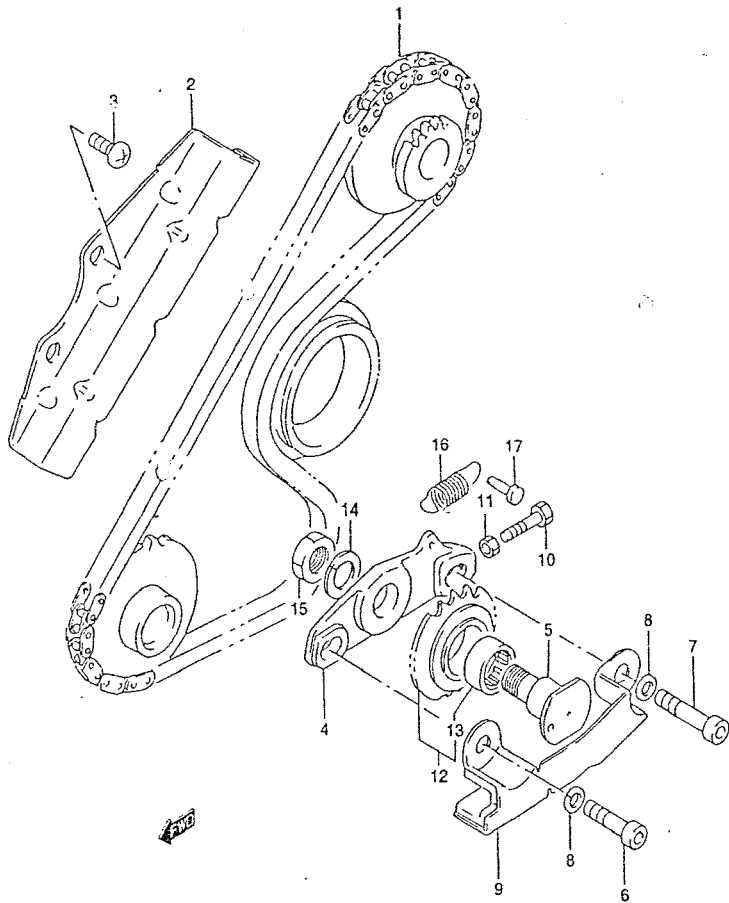
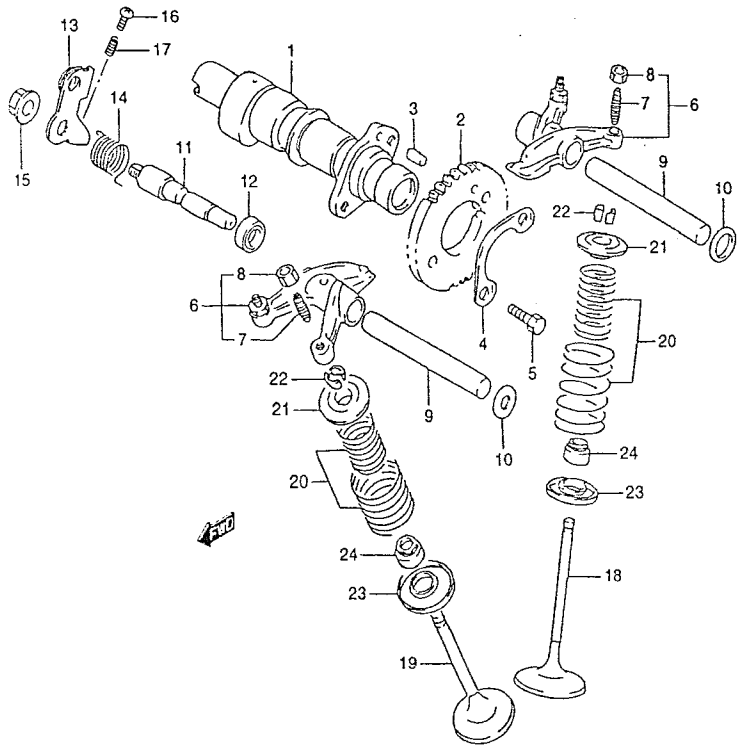


FIG.9

FIG.9 (B-12) CAM SHAFT - VALVE



REF NO.	PART NO.	DESCRIPTION	QTY	REMARKS
1-1	12711-31D00	CAM SHAFT	1	
1-2	12711-31D10	CAM SHAFT	1	E22
2	12741-44B00	SPROCKET (NT.34)	1	
3	04221-05109	PIN	1	
4	12747-44B00	WASHER	1	
5	09111-06045	BOLT (6X14)	2	
6	12840-44B01	ARM, VALVE ROCKER	2	
7	12842-32411	-SCREW	4	
8	12843-32400	-NUT	4	
9	12861-44B00	SHAFT, ROCKER ARM	2	
10	09164-12018	WASHER	2	
11	12941-31D00	SHAFT, DECOMP	1	
12	09282-10014	OIL SEAL (10X17X6)	1	
13	12942-31D00	LEVER, DECOMP SHAFT	1	
14	09448-17029	SPRING	1	
15	08316-10083	NUT	1	
16	02112-04103	SCREW, ADJUSTING	1	
17	09440-06007	SPRING	1	
18	12911-44B00	VALVE, INTAKE	2	
19	12912-44B00	VALVE, EXHAUST	2	
20	12920-44B00	SPRING SET, VALVE	4	
21	12931-45000	RETAINER, SPRING	4	
22	12932-82000	COTTER, VALVE	8	
23	12933-37400	SEAT, SPRING	4	
24	09289-07002	OIL SEAL (7X14.4X9)	4	

2

**FIG.10**

**FIG.10 (B-13) CAM CHAIN**

REF NO.	PART NO.	DESCRIPTION	QTY	REMARKS
1	12760-44B00-106	CHAIN, CAM SHAFT DRIVE	1	106LE
2	12771-44B00	GUIDE, CAM CHAIN	1	
3	12811-44B00	TENSIONER, CAM CHAIN	1	
4	12812-24B00	BOLT	1	
5	09168-08008	WASHER	1	
6	12830-44B02	ADJUSTER ASSY, TENSIONER	1	
7	07130-06203	BOLT	1	
8	07130-06553	BOLT (6X55)	1	

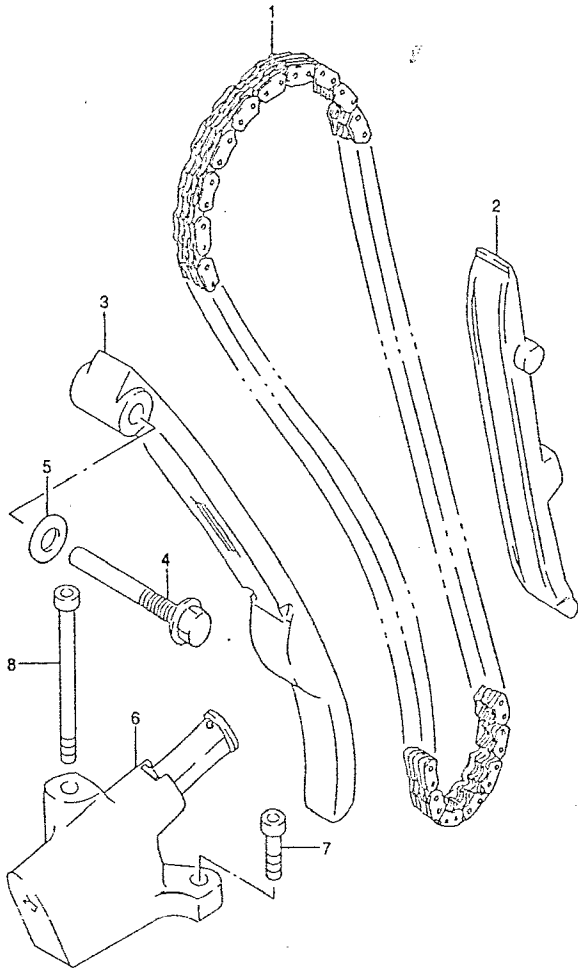
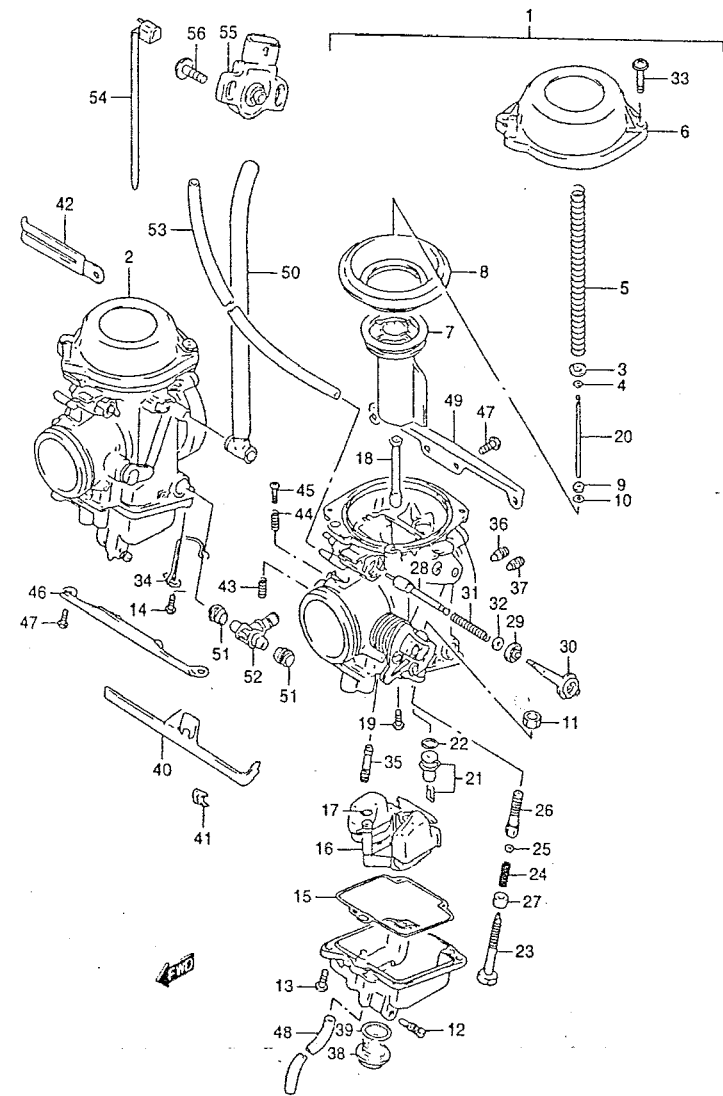




FIG.11

FIG.11 (C-2) CARBURETOR

2



REF.NO.	PART NO.	DESCRIPTION	QTY	REMARKS
1-1	13201-32D60	CARBURETOR ASSY, LH	1	
1-2	13201-32D70	CARBURETOR ASSY, LH	1	DR800SV E22
1-3	13201-32D80	CARBURETOR ASSY, LH	1	DR800SUV E22
1-4	13201-32D90	CARBURETOR ASSY, LH	1	P37
2-1	13202-32D60	CARBURETOR ASSY, RH	1	→13202-32D70
2-2	13202-32D70	CARBURETOR ASSY, RH	1	DR800SV E22
2-3	13202-32D80	CARBURETOR ASSY, RH	1	DR800SUV E22
2-4	13202-32D90	CARBURETOR ASSY, RH	1	P37
3	13382-42A00	·RING	2	
4	13394-10010	·E RING	2	EXCEPT DR800SUV E22
5	13417-44B00	·SPRING	2	
6-1	13502-45B00	·COVER, DIAPHRAGM	2	
6-2	13502-01D10	·COVER, DIAPHRAGM	2	DR800SUV E22
7	13551-44B10	·VALVE, PISTON	2	
8	13507-44B00	·DIAPHRAGM	2	
9	13387-47010	·RING	2	
10	13382-44030	·WASHER	2	DR800SUV E22
11	08310-00087	·NUT	2	LH
12	13247-13A00	·SCREW	2	
13	02112-05127	·SCREW	3	LH-2, RH:1
14	13601-05148	·SCREW	1	RH
15	13258-44B00	·GASKET, FLOAT CHAMBER	2	
16	13240-31D00	·FLOAT ASSY	2	
17	13374-46710	·O RING	2	
18	09494-00871	·JET, NEEDLE (O-3)	2	→09494-00640
19	09491-26011	·JET, MAIN (130)	2	
20-1	13383-44B00	·NEEDLE, JET (5E53-3)	2	
20-2	13383-32D80	·NEEDLE, JET (5E96)	2	DR800SUV E22
21-1	13370-44B00	·VALVE ASSY, NEEDLE	2	→13370-02D00
21-2	13370-02D00	·VALVE ASSY, NEEDLE	2	P37
22	13374-44080	·O RING	2	
23	13267-31D10	·ADJUSTER	1	LH
24	13268-49120	·SPRING	1	LH
25	13615-43010	·WASHER	1	LH

FIG.11

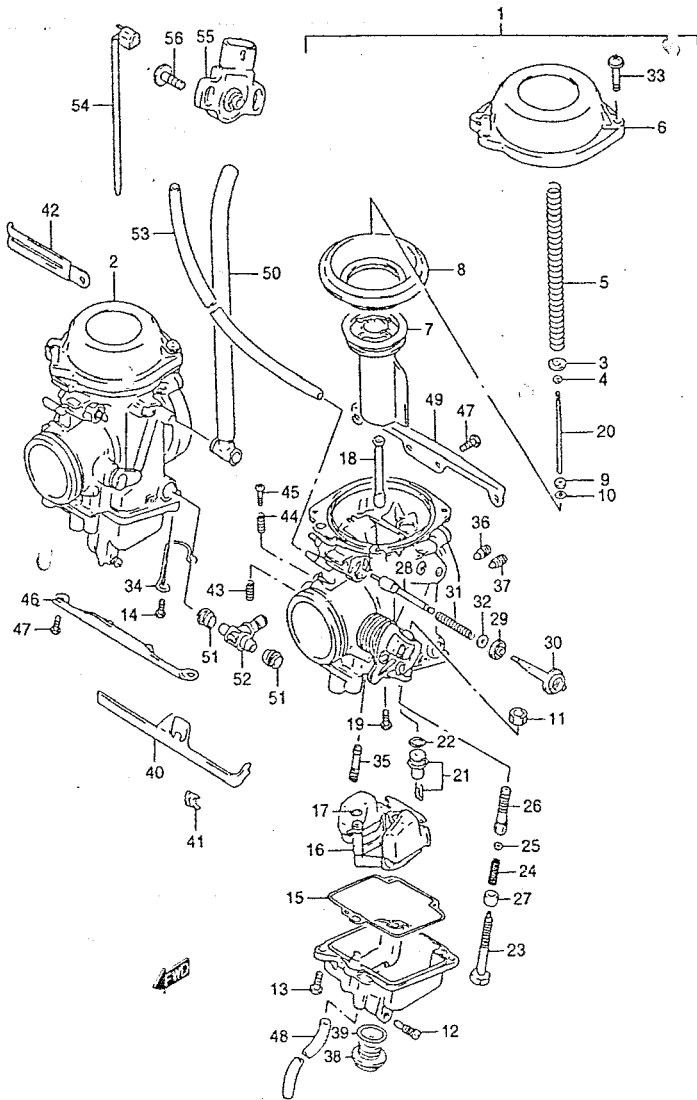


FIG.11 (C-3) CARBURETOR

REF NO.	PART NO.	DESCRIPTION	QTY	REMARKS
26	13267-31D00	ADJUSTER	1	LH
27	13432-95210	RING	1	LH
28	13411-05320	PLUNGER ASSY	2	
29	13418-17C00	CAP	2	
30	13418-17C10	HOLDER, GUIDE	2	
31	13417-26D00	SPRING	2	
32	13432-47090	WASHER	2	
33	02112-75163	SCREW	4	
34	13692-44B00	CLIP	1	RH
35	09492-45016	JET, PILOT (45)	2	
36-1	09493-26004	JET, PILOT AIR (1.3)	2	
36-2	09493-28006	JET, PILOT AIR (1.4)	2	DR800SUV E22 --09493-28007
37	09493-60004	JET, MAIN AIR (0.6)	2	
38	13247-32210	PLUG, DRAIN	2	
39	13249-41310	O RING	2	
40	13413-31D00	LEVER, STARTER	1	
41	13439-17C00	HOLDER	2	
42	09404-06432	CLAMP	1	--09404-06431
43	13268-96110	SPRING	1	
44	13271-44B00	SPRING	1	
45	13267-44B00	SCREW	1	
46	13628-44B00	PLATE	1	
47	02112-05127	SCREW	8	
48	09355-30705-600	HOSE (3X7X600)	2	LH L:600--250 RH L:600--270
49	13628-44B10	PLATE	1	
50	13683-17C30	HOSE ASSY	1	L:425--175
51	13673-44B00	SEAL	2	
52	13685-44B00	NIPPLE	1	
53	09355-50105-600	HOSE, VACUUM (5X10X600)	1	L:600--340
54	09407-14403	CLAMP, AIR VENT HOSE	1	--09407-11401
55	13550-13D60	SENSOR ASSY, THROTTLE	1	
56	13605-20C00	SCREW	2	

FIG.12

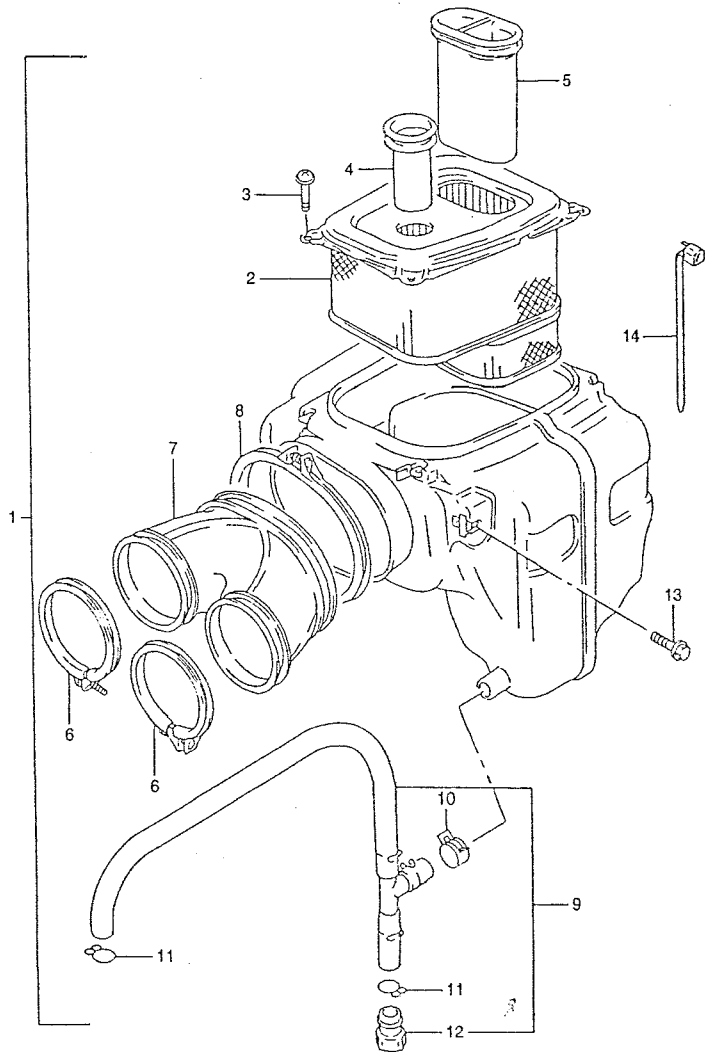


FIG.12 (C-4) AIR CLEANER

REF NO.	PART NO.	DESCRIPTION	Q'TY	REMARKS
1	13700-31D01	CLEANER ASSY, AIR	1	
2	13780-31D00	FILTER ASSY	1	
3	02112-75127	SCREW	4	
4	13892-31D00	TUBE, INLET NO.2	1	
5	13891-31D00	TUBE, INLET NO.1	1	
6	09402-66208	CLAMP	2	
7	13881-44B00	TUBE, OUTLET	1	
8	13826-44B00	CLAMP	1	
9	13850-31D00	TUBE, BREATHER	1	
10	09401-14404	CLIP	1	←09401-14402
11	09401-14301	CLIP	2	
12	13877-00190	PLUG, DRAIN	1	
13	09116-06024	BOLT	3	
14-1	09407-18403	CLAMP, BREATHER TUBE (L.165)	1	
14-2	09407-25401	CLAMP, BREATHER TUBE (L.235)	1	

2

FIG.13

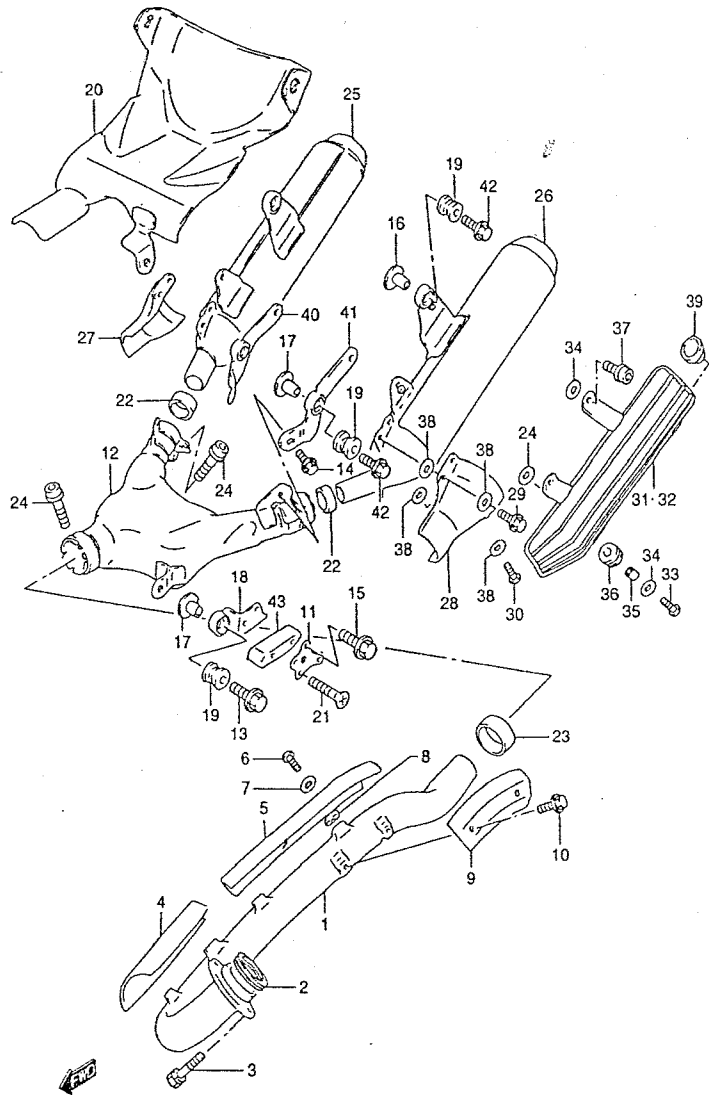


FIG.13 (C-5) MUFFLER

REF NO.	PART NO.	DESCRIPTION	QTY	REMARKS
1	14150-31D10	PIPE, EXHAUST	1	
2	14181-31D00	GASKET, EXHAUST PIPE	1	
3	01570-08253	BOLT	2	
4	14180-31D00	COVER, EXHAUST PIPE, FR	1	
5	*14180-44B20	COVER, EXHAUST PIPE, RR	1	
6	09139-06076	SCREW (6X10)	4	
7	09160-06082	WASHER (6.5X13X1)	4	
8	09168-06121	GASKET	4	
9	14782-44B01	PLATE, HEAT GUARD	1	
10	01580-06103	BOLT	2	
11	14751-31D00	PLATE, MANIFOLD GUARD	1	
12	14210-31D00	BODY, MANIFOLD	1	
13	09118-08145	BOLT (8X40)	1	
14	09103-10256	BOLT (10X20)	4	
15	01550-06163	BOLT	2	
16	09180-08151	SPACER (8.6X12X17.5)	2	
17	09180-08168	SPACER (8.6X12X20)	3	
18	14745-31D02	BRACKET, MANIFOLD SUPPORT	1	
19	09320-12043	CUSHION	5	
20	14730-31D00	GUARD, MANIFOLD HEAT	1	
21	02122-06353	SCREW	2	
22	14771-13E00	CONNECTOR	2	
23	14771-46E00	CONNECTOR	1	
24	09103-08222	BOLT (8X40)	3	
25	14305-31D50	MUFFLER, RH	1	
26	14306-31D50	MUFFLER, LH	1	
27	14786-31D10	COVER, MUFFLER FR, RH	1	
28	14796-31D10	COVER, MUFFLER FR, LH	1	
29	01550-06123	BOLT	4	
30	09139-06076	SCREW (6X10)	2	

FIG.13

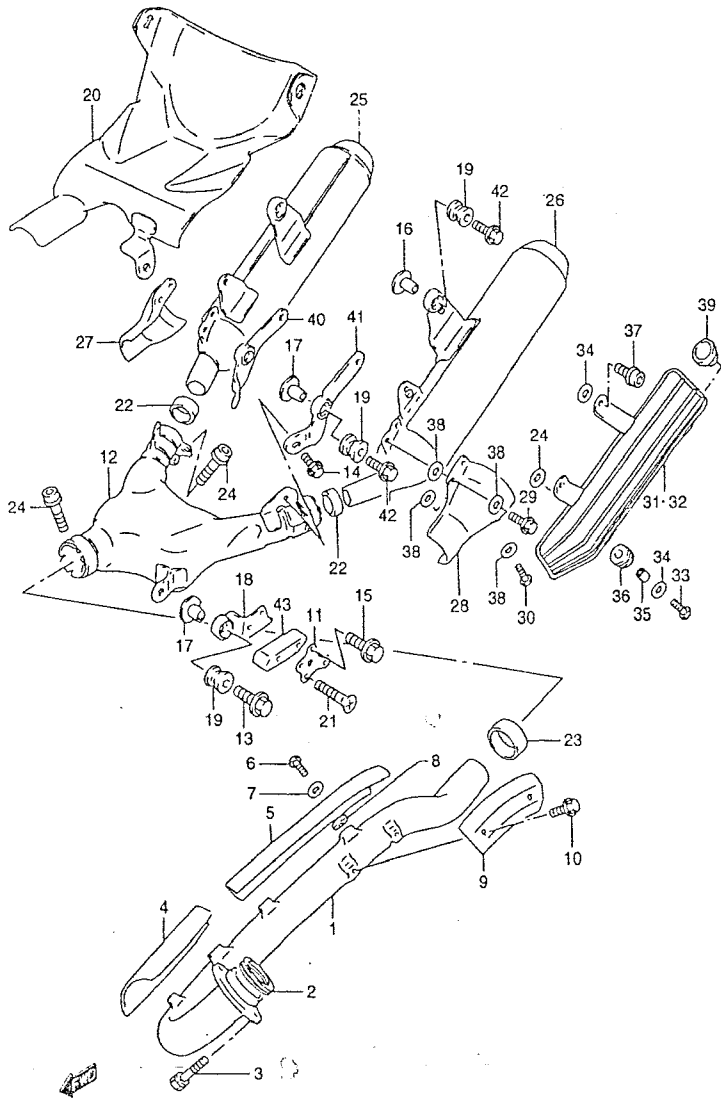


FIG.13 (C-6) MUFFLER

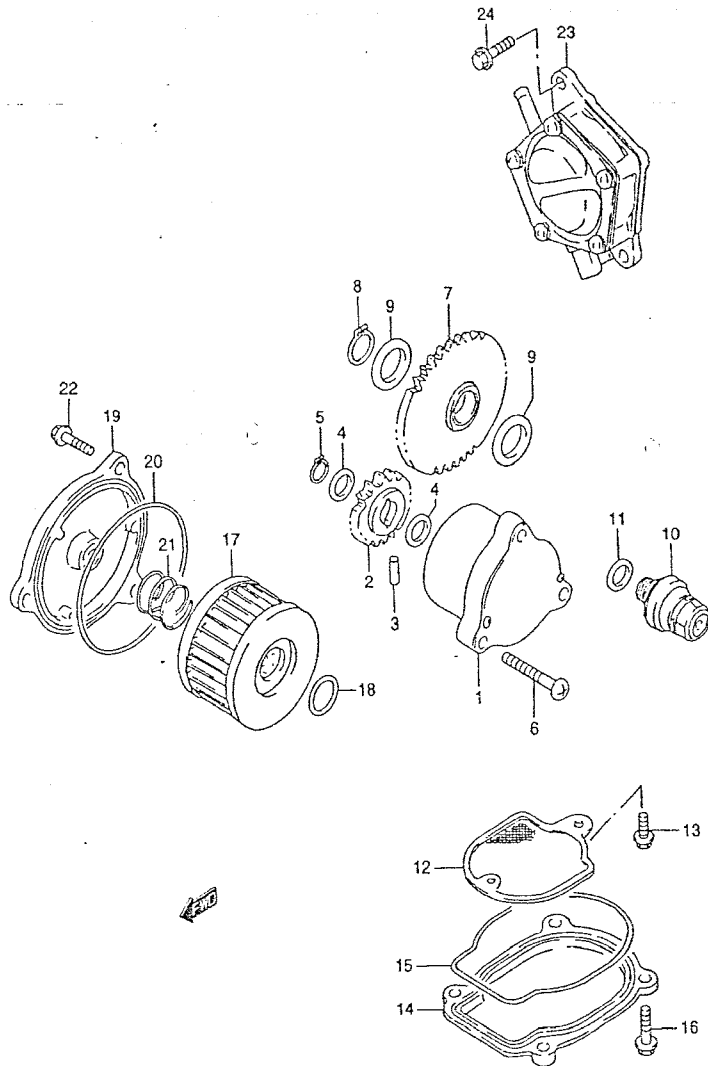
REF NO.	PART NO.	DESCRIPTION	QTY	REMARKS
31	14710-31D50	GUARD, MUFFLER RH	1	
32	14720-31D50	GUARD, MUFFLER LH	1	
33	09139-06067	SCREW, LEG GUARD	2	
34	09160-06028	WASHER (6.5X18X1)	8	
35	09180-06263	SPACER (6.5X9X9)	2	
36	09320-09502	CUSHION, LEG GUARD	2	--09320-09021
37	01550-06103	BOLT, LEG GUARD	4	
38	09168-06121	GASKET	12	
39	09321-10018	CUSHION	2	
40	14765-31D00	BRACKET, MUFFLER SUPPORT RH	1	
41	14775-31D00	BRACKET, MUFFLER SUPPORT LH	1	
42	09118-08145	BOLT (8X40)	4	
43	61348-14D00	GUARD, CHAIN TOUCH	1	



FIG.14

FIG.14 (C-7) OIL PUMP - FUEL PUMP

2



REF NO.	PART NO.	DESCRIPTION	QTY	REMARKS
1	16400-44B00	PUMP ASSY, ENGINE OIL	1	
2	16331-44B00	GEAR, DRIVEN (NT:15)	1	
3	09261-04D09	PIN	1	
4	08221-10185	WASHER	2	
5	08331-31106	CIRCLIP	1	
6	02112-06253	SCREW	3	
7	16320-44B00	GEAR, DRIVE (NT:35)	1	
8	09380-17001	CIRCLIP	1	
9	08211-17241	WASHER	2	
10	16440-44B01	VALVE ASSY, OIL RELIEF	1	
11	08212-14181	WASHER	1	
12	16520-44B00	STRAINER, ENGINE OIL	1	
13	02112-75123	SCREW	2	
14	16523-38A00	CAP, OIL STRAINER	1	
15	16528-38A00	O RING	1	
16	01550-06203	BOLT	4	
17	16510-37450	FILTER, ENGINE OIL	1	←16510-37440
18	09280-15007	O RING (D:2.4, ID:15.8)	1	
19	16512-14D00	CAP, OIL FILTER	1	
20	09280-72001	O RING (D:2.4, ID:73)	1	
21	09440-21006	SPRING	1	
22	01547-06167	BOLT	3	
23	15100-31D00	PUMP ASSY, FUEL	1	
24	01550-06163	BOLT	2	

FIG.15

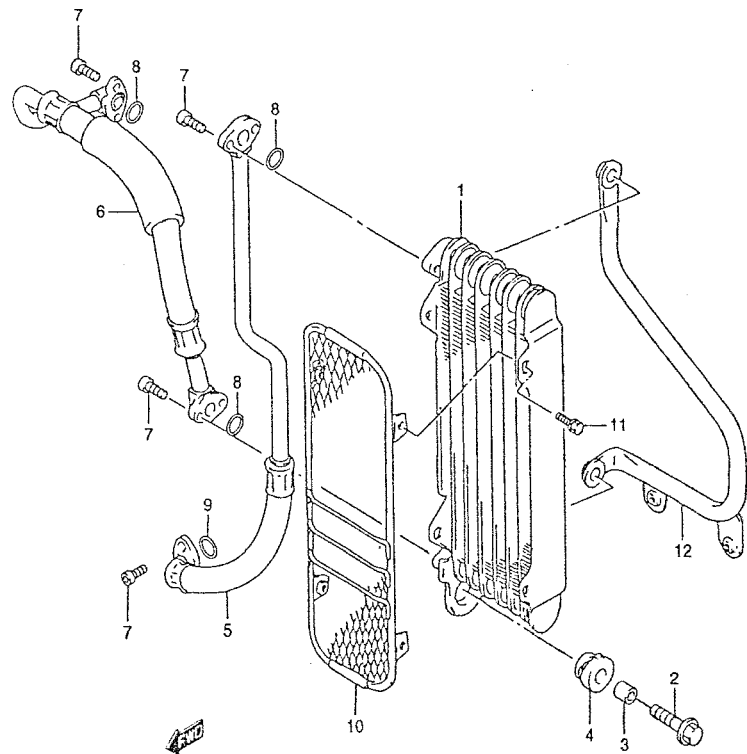


FIG.15 (C-8) OIL COOLER

REF NO.	PART NO.	DESCRIPTION	QTY	REMARKS
1	16600-31D00	COOLER ASSY, OIL	1	
2	09116-08105	BOLT	2	
3	09180-08193	SPACER (8.5X12X17)	2	←09180-08192
4	16629-31D00	CUSHION, OIL COOLER	2	
5	16460-44B04	HOSE, OIL COOLER NO.1	1	
6	16470-44B02	HOSE, OIL COOLER NO.2	1	
7	07130-06163	BOLT (GREEN)	8	
8	09280-12008	O RING (D:2.4, ID:12.3)	3	
9	11143-06B00	O RING, OIL HOSE CLUTCH COVER	1	
10	16650-31D00	BUMPER, OIL COOLER	1	
11	02162-05103	BOLT	4	
12	16640-31D10	GUARD, OIL COOLER	1	

FIG.16

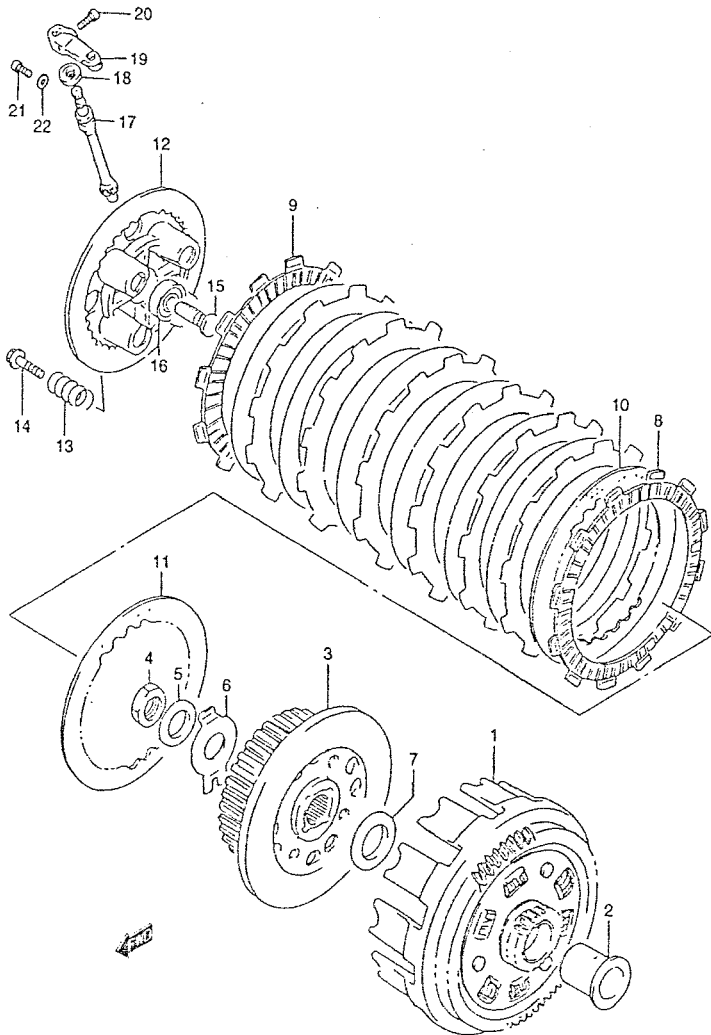


FIG.16 (D-2) CLUTCH

REF NO.	PART NO.	DESCRIPTION	QTY	REMARKS
1	21200-44B13	GEAR, PRIMARY DRIVEN	1	NT:61/20, 21200-44B12
2	21251-32E00	SPACER, PRIMARY DRIVEN	1	
3	21410-44B00	HUB, SLEEVE	1	
4	09140-20001	NUT	1	
5	09164-20002	WAVE WASHER	1	
6	09169-20005	WASHER, LOCK	1	
7	09160-22068	WASHER (22X44X2.0)	1	
8	21441-31D00	PLATE, DRIVE (T:3)	7	
9	21441-44B01	PLATE, DRIVE (T:3)	1	
10	21451-44B00	PLATE, DRIVEN, NO.1	7	T:1.6
11	21451-49200	PLATE, DRIVEN, NO.2	1	T:2
12	21462-31CJ0	DISK, PRESSURE	1	
13	09440-20013	SPRING	4	
14	09116-06168	BOLT (6X16)	4	
15	23165-31D00	RACK, RELEASE	1	
16	08130-62007	BEARING	1	
17	23261-44B00	PINION, RELEASE	1	
18	09285-10004	OIL SEAL (10X17X5)	1	
19	23271-31D00	ARM, RELEASE	1	
20	01500-06163	BOLT	1	
21	09135-06013	BOLT (6X10)	1	
22	09168-06004	WASHER (6.2X11X1.2)	1	



FIG.17

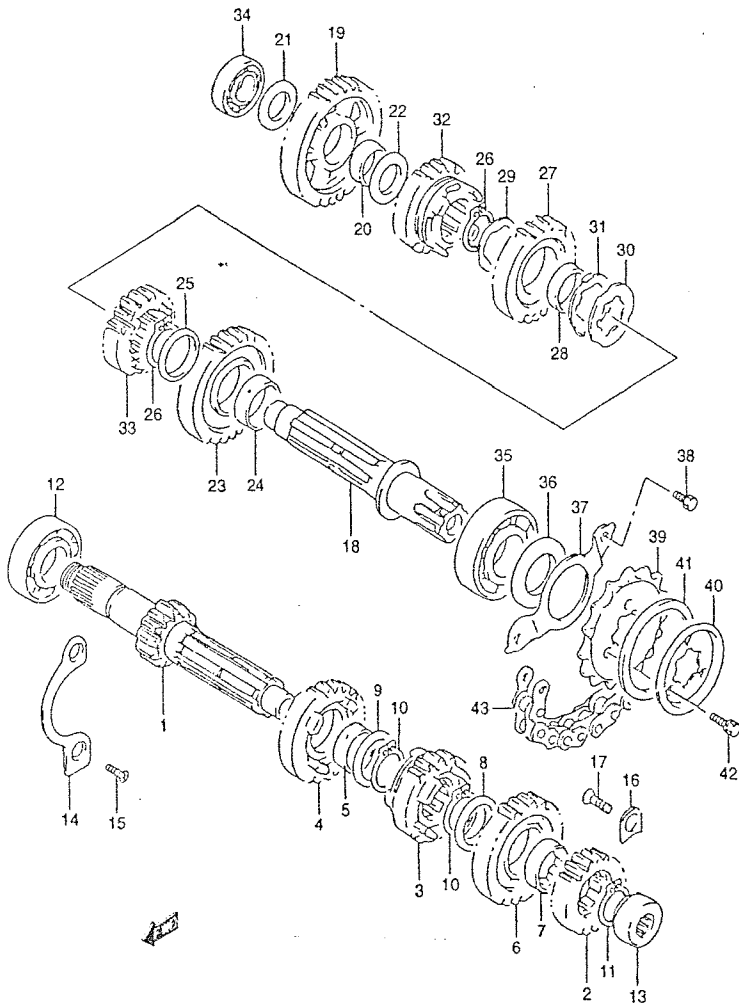


FIG.17 (D-3) TRANSMISSION

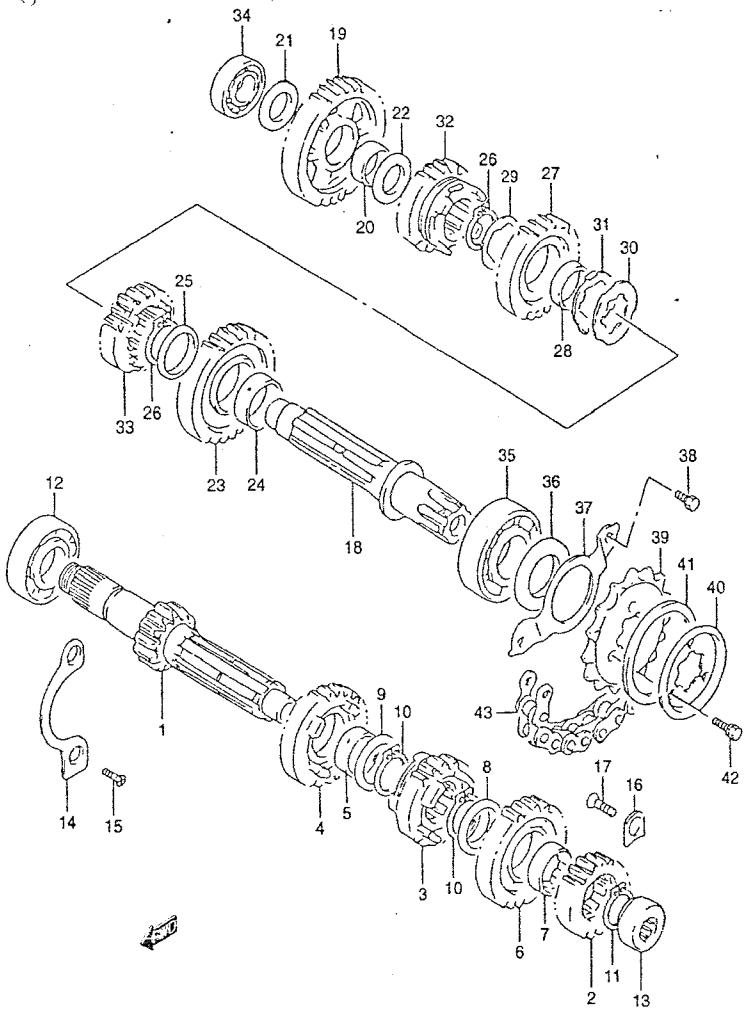
REF NO.	PART NO.	DESCRIPTION	QTY	REMARKS
1	24121-44B10	COUNTERSHAFT (NT:13)	1	
2	24221-44B20	GEAR, 2ND DRIVE (NT:19)	1	
3	24231-44B02	GEAR, 3RD DRIVE (NT:20)	1	-24231-44B01
4	24241-44B01	GEAR, 4TH DRIVE (NT:23)	1	
5	09300-25023	BUSH	1	
6	24251-44B10	GEAR, 5TH DRIVE (NT:25)	1	-24251-44B01
7	24252-38A00	BUSH	1	
8	09167-25021	WASHER	1	
9	08211-25351	WASHER	1	
10	09380-25003	CIRCLIP	2	
11	09380-25013	CIRCLIP	1	
12	09262-22028	BEARING, RH (22X56X16)	1	
13	09263-17026	BEARING, LH (17X30X14)	1	
14	24741-44B00	HOLDER, BEARING, RH	1	
15	02122-06123	SCREW	2	
16	24742-44B00	HOLDER, BEARING, LH	1	
17	02122-06123	SCREW	1	
18	24131-44B00	DRIVESHAFT	1	
19	24311-44B10	GEAR, 1ST DRIVEN (NT:32)	1	
20	09300-22005	BUSH	1	
21	09181-20223	WASHER, RH (20X32X1.0)	1	
22	09181-22223	WASHER, LH (22X34X1.0)	1	
23	24321-44B20	GEAR, 2ND DRIVEN (NT:30)	1	
24	09300-28002	BUSH	1	
25	09181-28167	WASHER, 2ND DRIVEN	1	28X36X1.0
26	08331-31286	CIRCLIP	2	
27	24331-44B01	GEAR, 3RD DRIVEN (NT:24)	1	-24331-44B00
28	24332-27A00	BUSH	1	
29	09167-28001	WASHER, RH	1	
30	09167-28002	WASHER, LH	1	
31	09169-28001	WASHER, LH	1	
32	24341-44B02	GEAR, 4TH DRIVEN (NT:22)	1	-24341-44B01
33	24351-44B10	GEAR, 5TH DRIVEN (NT:20)	1	-24351-44B01

2

FIG.17

FIG.17 (D-4) TRANSMISSION

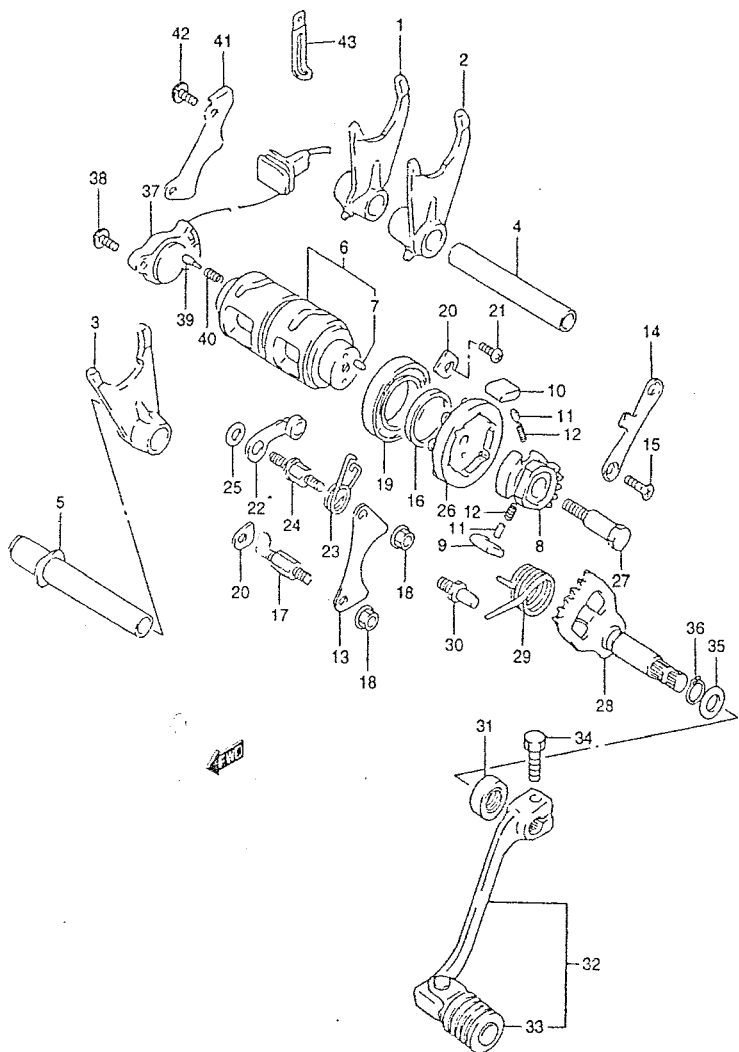
2



REF NO.	PART NO.	DESCRIPTION	QTY	REMARKS
34	09262-20059	BEARING, RH (20X42X12)	1	
35	09262-25066	BEARING, LH (25X62X17)	1	
36	09283-25076	OIL SEAL, LH	1	
37	24751-14A01	HOLDER, OIL SEAL	1	
38	01500-05103	BOLT	2	
39	27511-31D00	SPROCKET (NT:15)	1	
40	27512-44B00	PLATE	1	
41	27517-37400	DAMPER	1	
42	09111-06039	BOLT	3	
43	27600-32C10-116	CHAIN, DRIVE (DID525V9X116L)	1	

FIG.18

FIG.18 (D-5) GEAR SHIFTING



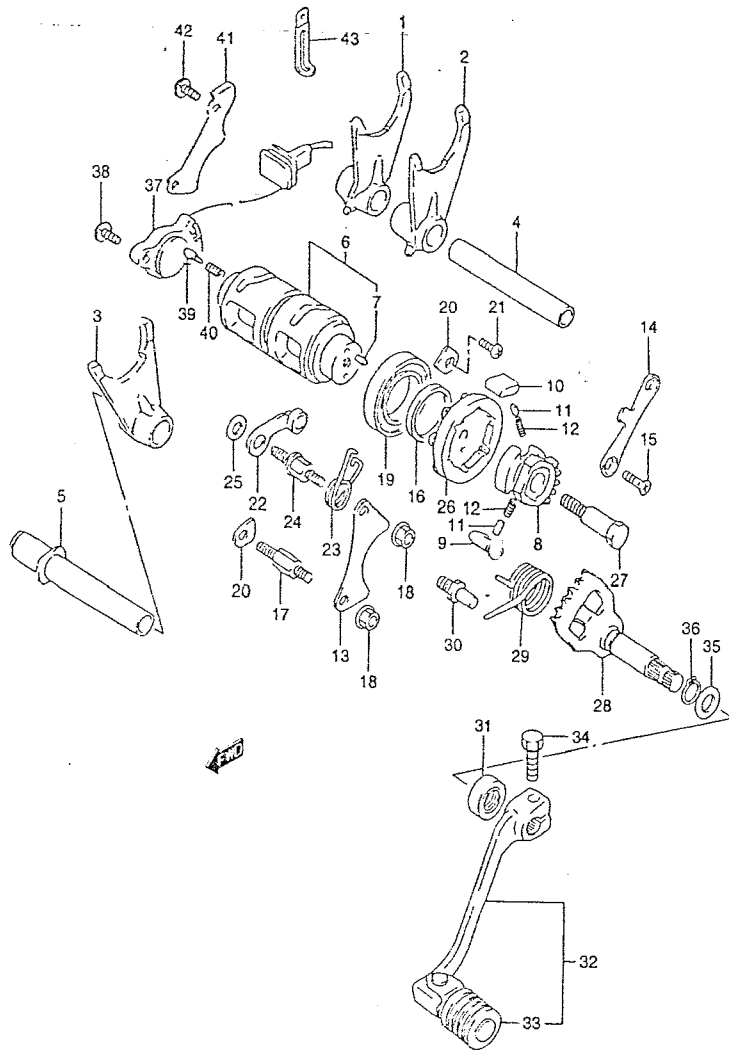
REF NO.	PART NO.	DESCRIPTION	QTY	REMARKS
1	25211-44B00	FORK. GEAR SHIFTING NO.1	1	
2	25221-44B00	FORK. GEAR SHIFTING NO.2	1	
3	25231-44B00	FORK. GEAR SHIFTING NO.3	1	
4	25411-44B00	SHAFT, FORK NO.1 (L:92.5)	1	
5	25421-44B01	SHAFT, FORK NO.2	1	
6	25310-44B00	CAM. GEAR SHIFTING	1	
7	04221-04089	·PIN	1	
8	25322-31310	GEAR, CAM DRIVEN	1	--25322--31302
9	25323-34201	PAWL, NO.1	1	
10	25324-34201	PAWL, NO.2	1	
11	09261-05003	PIN	2	
12	09440-04003	SPRING	2	
13	25331-38A00	LIFTER, PAWL	1	
14	25341-38A00	GUIDE, CAM	1	
15	02122-06123	SCREW	2	
16	09160-25059	WASHER (25X32X3)	1	
17	25332-38A00	BOSS	1	
18	08316-10063	NUT	2	
19	09262-25006	BEARING (25X47X8)	1	
20	24741-21A00	RETAINER, BEARING	2	
21	02112-06123	SCREW	1	
22	25350-24B00	STOPPER, CAM	1	
23	09448-17021	SPRING	1	
24	25356-12C00	SUPPORT	1	
25	08211-06141	WASHER	1	
26	25380-38A02	PLATE, STOPPER	1	
27	25312-38A00	PIN	1	
28	25510-44B00	SHAFT, GEAR SHIFTING	1	
29	09444-26013	SPRING	1	
30	25671-36A00	STOPPER, ARM	1	
31	09285-12002	OIL SEAL	1	
32	25600-31D00	LEVER ASSY. GEAR SHIFTING	1	
33	25652-03D00	·COVER	1	

2

FIG.18

FIG.18 (D-6) GEAR SHIFTING

2



REF NO.	PART NO.	DESCRIPTION	QTY	REMARKS
34	01500-06203	BOLT	1	
35	08212-12201	WASHER (12.5X2(j))	1	
36	08331-31126	CIRCLIP	1	
37	37720-44B00	BODY, SWITCH	1	
38	02112-75163	SCREW	2	
39	09209-05011	CONTACT, SWITCH	1	
40	09440-04010	SPRING	1	
41	37721-44B00	CLAMP, LEAD WIRE	1	
42	02112-36103	SCREW	2	
43	09404-06429	CLAMP (L:60)	1	

FIG.19

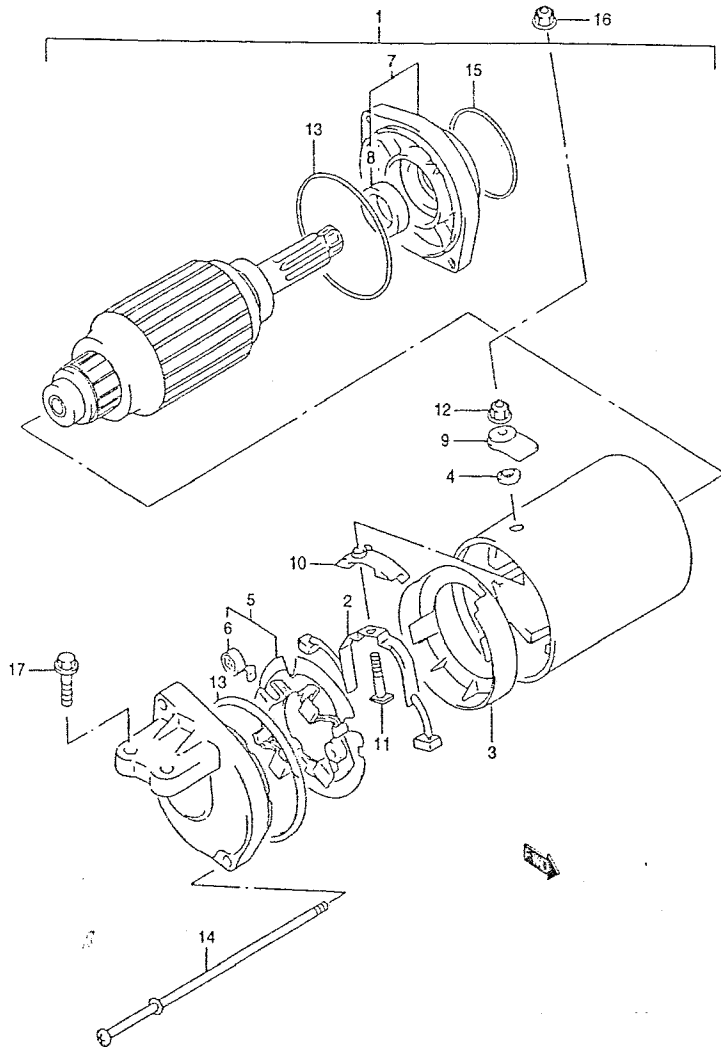


FIG.19 (D-7) STARTING MOTOR

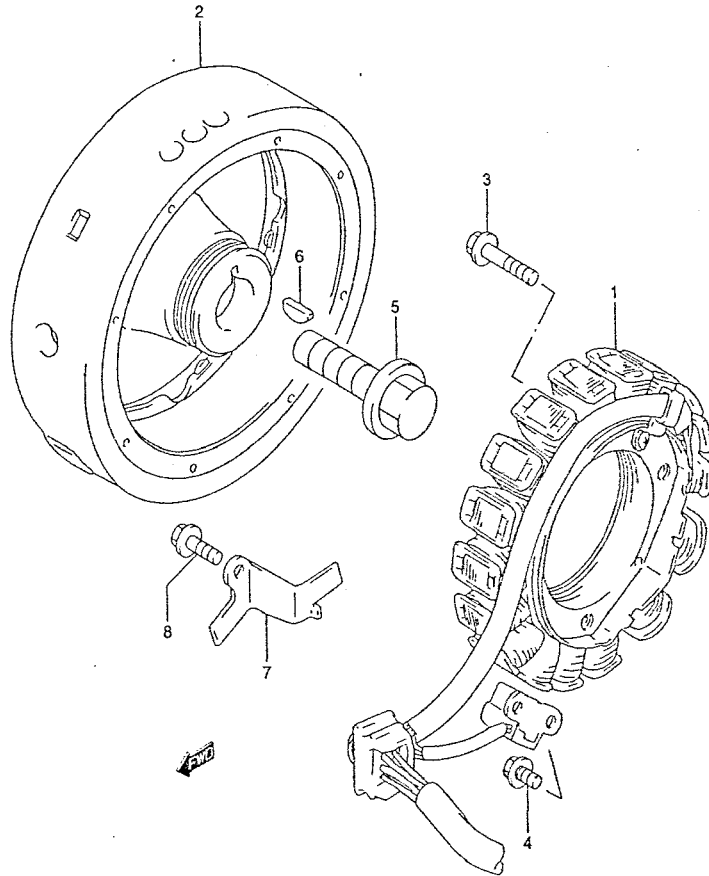
REF NO.	PART NO.	DESCRIPTION	QTY	REMARKS
1	31100-31D01	MOTOR ASSY. STARTING	1	
2	31131-48B00	·BRUSH TERMINAL SET (+)	1	
3	31173-38A00	·INSULATOR	1	
4	31143-48B00	·GASKET	1	
5	31132-48B00	·BRUSH HOLDER SET (-)	1	
6	31135-65010	··SPRING, BRUSH	4	
7	31150-44B00	·BRACKET SET	1	
8	31153-49210	··OIL SEAL	1	
9	31172-48B10	·BUSHING	1	
10	31172-48B20	·BUSHING	1	
11	31130-48B00	·BOLT	1	
12	31145-48B00	·NUT	1	
13	31264-44110	·O RING	2	
14	31281-24B10	·BOLT	2	
15	09280-35005	·O RING (D:2.1, ID:34.7)	1	←31156-24B00
16	08361-35068	NUT	1	
17	01547-06203	BOLT	2	

3

**FIG.20**

**FIG.20 (E-2) MAGNETO**

REF NO.	PART NO.	DESCRIPTION	QTY	REMARKS
1	32101-31D00	STATOR ASSY	1	
2	32102-31D00	ROTOR	1	
3	07130-06303	BOLT	3	
4	01547-05103	BOLT	2	
5	09103-14001	BOLT, ROTOR	1	
6	09420-05007	KEY	1	
7	32371-44B00	CLAMP, LEAD WIRE	1	
8	01547-05103	BOLT	1	

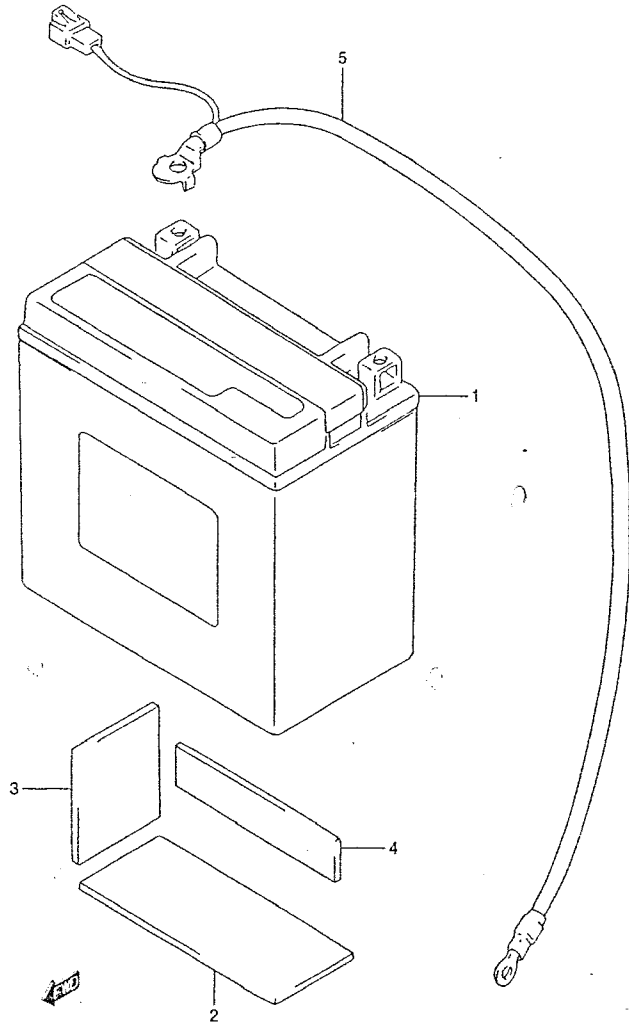


**3**

**FIG.21**

**FIG.21 (E-3) BATTERY**

REF NO.	PART NO.	DESCRIPTION	QTY	REMARKS
1	33610-26D10	BATTERY ASSY (YTX14-BS, 12V12AH)	1	
2	33651-37000	PROTECTOR	1	CUT AS REQUIRED PROFILE (60X130)
3	33651-37000	PROTECTOR	2	CUT AS REQUIRED PROFIEL (40X60)
4	33651-37000	PROTECTOR	5	CUT AS REQUIRED PROFIEL (20X90)
5	33860-31D00	LEAD WIRE, BATTERY (-)	1	



**33**

FIG.22

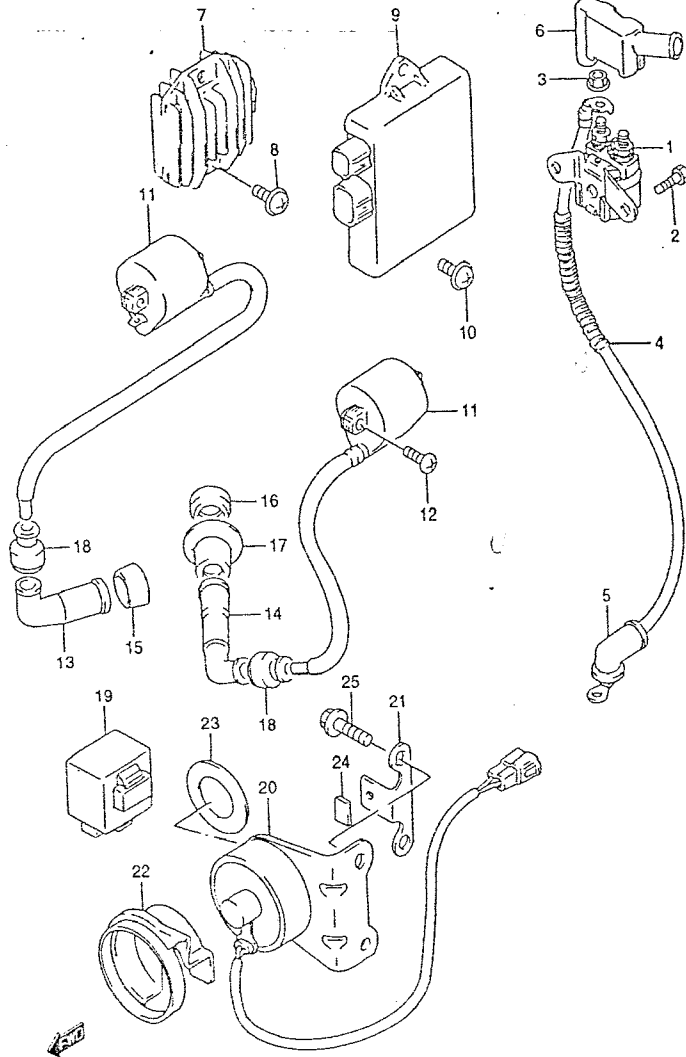


FIG.22 (E-4) ELECTRICAL

REF NO.	PART NO.	DESCRIPTION	QTY	REMARKS
1	31800-49100	RELAY ASSY, STARTING MOTOR	1	
2	09128-06013	BOLT	2	
3	08361-35068	NUT	2	
4	33810-31D00	WIRE, STARTING MOTOR	1	
5	31861-48B10	CAP. TERMINAL	1	
6	31861-31D00	CAP. STARTER RELAY	1	
7	32800-32E00	RECTIFIER ASSY	1	
8	02142-06203	SCREW	2	
9	32900-31D10	UNIT, CDI	1	
10	02142-06163	SCREW	2	
11	33410-44B00	COIL ASSY, IGNITION	2	
12	02112-06203	SCREW	4	
13	33510-43010	CAP. SPARK PLUG RH	1	
14	33510-48B10	CAP. SPARK PLUG LH	1	
15	33541-24510	SEAL, SPARK PLUG RH	1	
16	33541-23E01	SEAL, SPARK PLUG LH	1	
17	33543-44B00	COVER, PLUG CAP LH	1	
18	33542-38B00	SEAL, HIGH TENSION CORD	2	
19	32910-31D00	CONTROL UNIT, DECOMP	1	
20	33970-31D00	SOLENOID ASSY, DECOMP	1	
21	33971-31D00	STOPPER	1	
22	33973-31D00	COVER, SOLENOID	1	
23	33972-31D10	CUSHION	1	
24	33652-19B00	CUSHION	1	
25	01550-08163	BOLT	2	



FIG.23

FIG.23 (E-5) SPEEDOMETER

REF NO.	PART NO.	DESCRIPTION	QTY	REMARKS
1	34110-31D00	SPEEDOMETER (KILO)	1	
2	34124-49400	KNOB	1	
3	34210-31D00	TACHOMETER	1	
4	34950-31D00	PANEL, METER	1	
5	34111-31D00	BRACKET, SPEEDOMETER	1	
6	34211-31D00	BRACKET, TACHOMETER	1	
7	34196-32C00	DAMPER	4	
8	34131-48B10	GEAR BOX, SPEEDOMETER	1	
9	34132-17C00	GASKET	1	
10	02112-34123	SCREW	2	
11	08310-00043	NUT	2	
12	34170-31D00	SOCKET	1	
13	09471-12103	BULB (12V,3W)	2	
14	34199-31D00	BOLT	4	
15	09116-06115	BOLT (6X20)	3	←09116-06143
16	09180-06264	SPACER, FR (6.5X9X10.5)	2	
17	09180-06248	SPACER, RR (6.1X8X9.5)	2	
18	09320-08047	CUSHION, FR	2	
19	09320-09026	CUSHION, RR	1	
20	36380-31D00	BOX ASSY, PILOT LAMP	1	
21	36383-31D00	·BRACKET	1	
22	03211-04103	·SCREW	2	
23	36394-31D00	·SOCKET, PILOT BOX	1	
24	09471-12118	·BULB (12V,2W)	3	
25	02112-34063	SCREW	2	
26	34910-31D01	CABLE ASSY, SPEEDOMETER	1	
27	02112-05163	SCREW	1	
28	34938-14D30	GUIDE, METER CABLE NO.1	1	
29	09116-06167	BOLT (6X20)	1	
30	08316-10063	NUT	1	

3

FIG.24

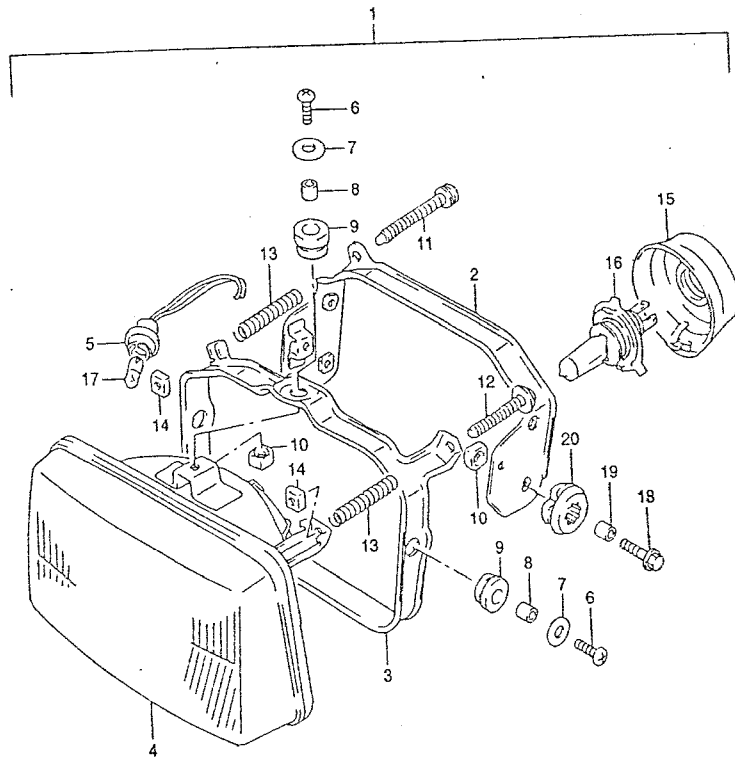


FIG.24 (E-6) HEADLAMP

REF NO.	PART NO.	DESCRIPTION	QTY	REMARKS
1	35100-31D50-999	HEADLAMP ASSY	1	
2	35141-44B01	HOUSING	1	
3	35130-44B01	RING	1	
4	35121-31D00	UNIT, LAMP	1	
5	36118-42A60	SOCKET	1	
6	02112-05163	SCREW	4	
7	09160-05045	WASHER (5.5X18X1.0)	4	←09160-05003
8	35133-45230	SPACER	4	
9	35139-45230	CUSHION	4	
10	35135-45900	NUT	4	
11	02112-05455	SCREW	1	
12	02112-06553	SCREW	1	
13	35154-31D00	SPRING	2	
14	35135-31D00	NUT	2	
15	35173-01440	COVER	1	
16	09471-12060	BULB (12V,60/55W)	1	
17	09471-12063	BULB (12V,4W)	1	
18	09116-06167	BOLT (6X20)	4	
19	09180-06310	SPACER (6.5X10X10)	4	
20	09320-09018	CUSHION	4	

FIG.25

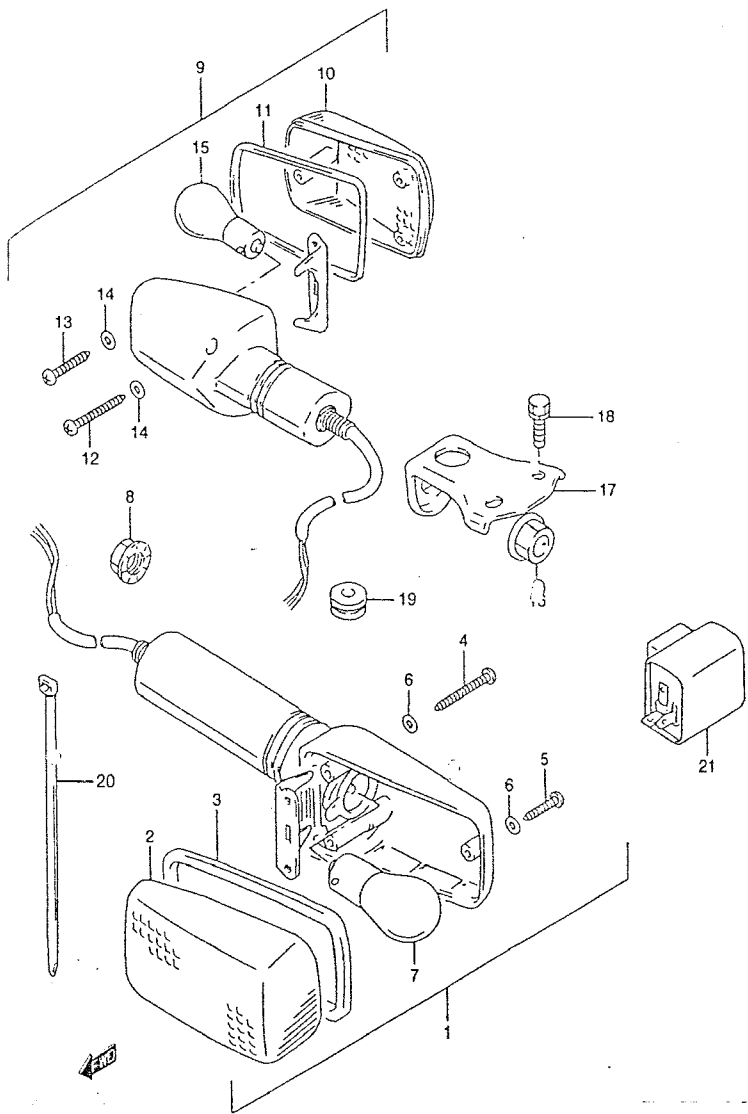


FIG.25 (E-7) TURN SIGNAL LAMP

REF NO.	PART NO.	DESCRIPTION	QTY	REMARKS
1-1	35601-29E30	LAMP ASSY. FRONT TURN SIGNAL	2	
1-2	35601-29E00	LAMP ASSY. FRONT TURN SIGNAL	2	E22, E34, P37
2	35612-17C20	LENS, FRONT TURN SIGNAL	2	
3	35613-27A00	GASKET	2	
4	35623-27A00	SCREW	4	
5	35725-40511	SCREW	2	
6	35627-27A02	GASKET	6	
7	09471-12045	BULB (12V,21W)	2	
8	08316-10103	NUT	2	
9	35603-29E90	LAMP ASSY. REAR TURN SIGNAL LH	2	
10	35652-17C20	LENS, REAR TURN SIGNAL	2	
11	35613-27A00	GASKET	2	
12	35623-27A00	SCREW	4	
13	35725-40511	SCREW	2	
14	35627-27A02	GASKET	4	
15	09471-12045	BULB (12V,21W)	2	
16	08316-10103	NUT	2	
17	35621-31D00	BRACKET, REAR TURN SIGNAL	2	
18	01570-06103	BOLT, BRACKET	4	
19	09308-05015	GROMMET, LEAD WIRE	2	
20	09404-06429	CLAMP (L:60)	2	
21	38610-26E00	RELAY, TURN SIGNAL	1	

FIG.26

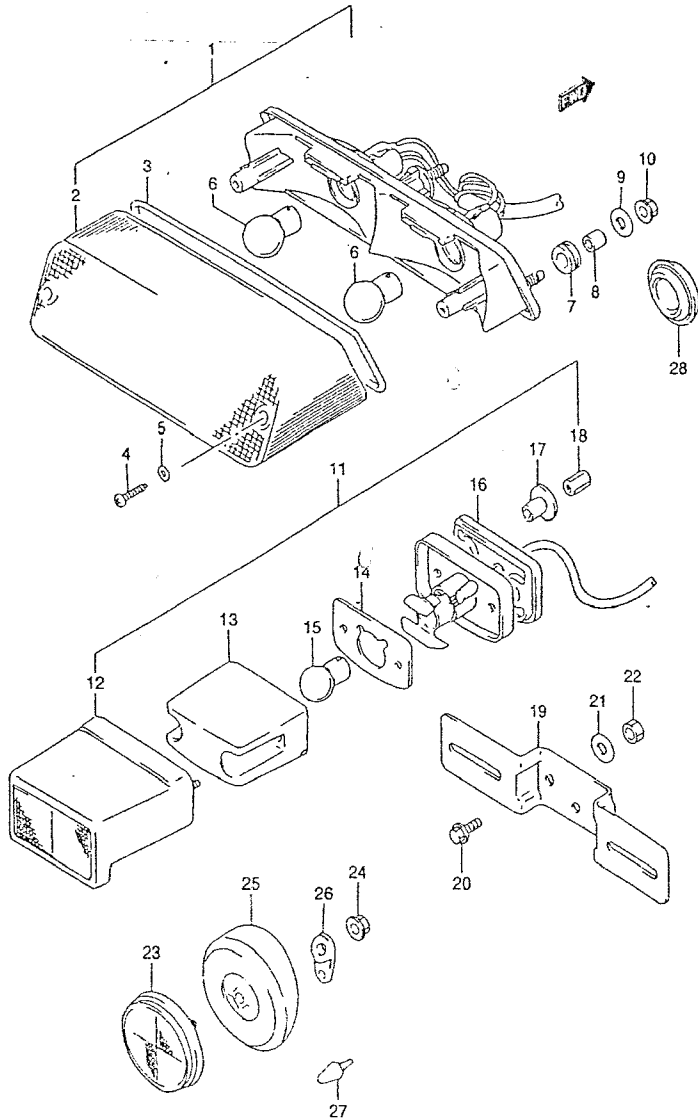


FIG.26 (E-8) REAR COMBINATION LAMP

REF NO.	PART NO.	DESCRIPTION	QTY	REMARKS
1	35710-31D00	LAMP ASSY, REAR COMBINATION	1	
2	35712-31D00	LENS	1	
3	35713-31D00	GASKET	1	
4	03211-04207	SCREW	2	
5	35627-43010	GASKET	2	
6	09471-12083	BULB (12V, 21/5W)	2	
7	09320-08501	CUSHION	3	←09320-08048
8	09180-06248	SPACER (6.1X8X9.5)	3	
9	09160-06056	LOCK WASHER (6.5X18X1.0)	3	
10	06316-10063	NUT	3	
11-1	35910-31D00	LAMP ASSY, LICENSE	1	E22
11-2	35910-31D10	LAMP ASSY, LICENSE	1	E4, E34
12	35917-30B00	COVER, LENS	1	
13	35912-38A20	LENS	1	
14	35913-38A30	GASKET	1	
15	09471-12140	BULB (12V, 5W)	1	
16	35761-38A31	CUSHION	1	
17	35766-38A30	SPACER	2	
18	09140-04006	NUT	2	
19	35927-00A10	BRACKET, LICENSE PLATE	1	
20	01550-06163	BOLT	2	
21	09160-06088	WASHER (6.5X20X1.60)	2	
22	08310-00063	NUT	2	
23	35970-12D00	REFLEX REFLECTOR, REAR	1	E22
24	08316-20053	NUT	1	E22
25	35977-12D00	SPACER, REAR REFLECTOR	1	E22
26	35997-12D00	WASHER, REAR REFLECTOR	1	E22
27	09321-06028	CUSHION, LICENSE	1	
28	09250-30010	GROMMET, FENDER	2	

FIG.27

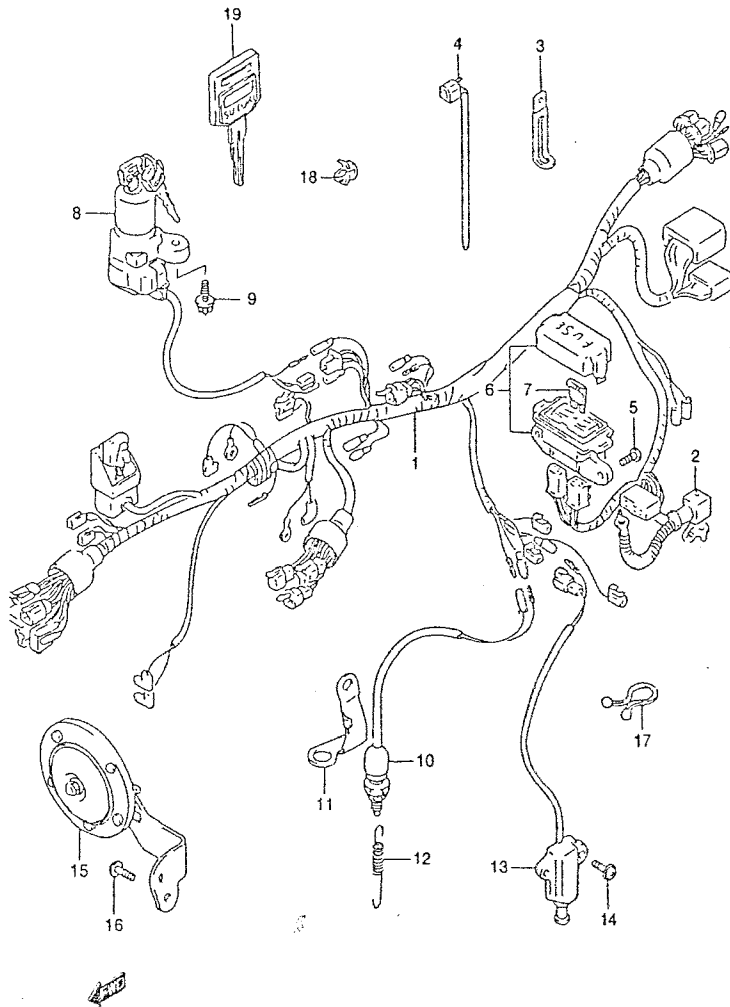


FIG.27 (E-9) WIRING HARNESS

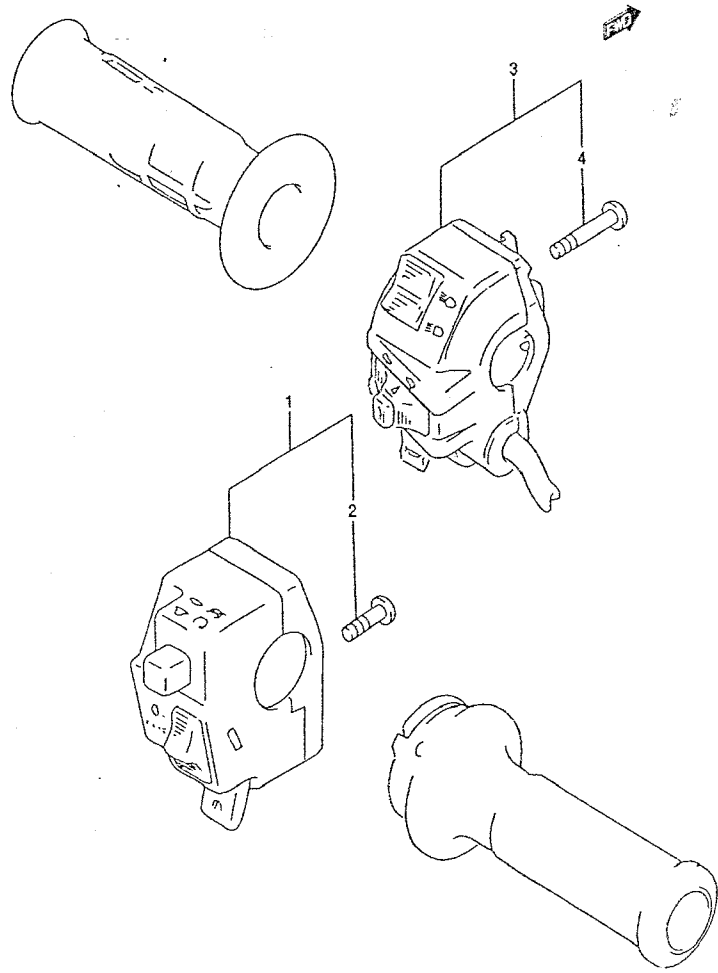
REF NO.	PART NO.	DESCRIPTION	QTY	REMARKS
1	36610-31D50	HARNASS. WIRING	1	
2	33624-35B00	·CAP. (+) TERMINAL	1	
3-1	09404-06431	CLAMP (L:50)	2	
3-2	09404-06432	CLAMP (L:65)	1	
4-1	09407-11401	CLAMP (L:95)	2	
4-2	09407-12402	CLAMP (L:128)	2	
4-3	09407-14403	CLAMP (L:125)	9	
4-4	09407-25401	CLAMP (L:235)	8	
4-5	09407-30401	CLAMP (L:300)	2	
5	02142-06123	SCREW, FUSE BOX	2	
6	36740-31DQ0	FUSE ASSY	1	
7-1	09481-10101	·FUSE (10A)	3	
7-2	09481-20101	·FUSE (20A)	3	
8	37100-12D11	LOCK ASSY, STEERING	1	
9	09139-06026	BOLT	2	
10	37740-31D00	SWITCH ASSY, STOP LAMP	1	
11	43251-44B00-24K	BRACKET (CHARCOAL)	1	
12	09443-06012	SPRING	1	
13	37840-44X50	SWITCH ASSY, SIDE STAND	1	
14	02112-36203	SCREW	2	
15	36500-31D00	HORN ASSY	1	
16	01550-06123	BOLT	2	
17	09408-00012	CLIP, IGNITION SW	1	
18	09403-08405	CLAMP, DECOMP LEAD	1	
19	37146-26D10	KEY, BLANK	1	OPT

3

**FIG.28**

**FIG.28 (E-10) HANDLE SWITCH**

REF NO.	PART NO.	DESCRIPTION	QTY	REMARKS
1	37200-31D30	SWITCH ASSY, HANDLE RH	1	
2	02112-05253	-SCREW	2	
3	37400-31D30	SWITCH ASSY, HANDLE LH	1	
4	02112-05305	-SCREW	2	



**3**

FIG.29

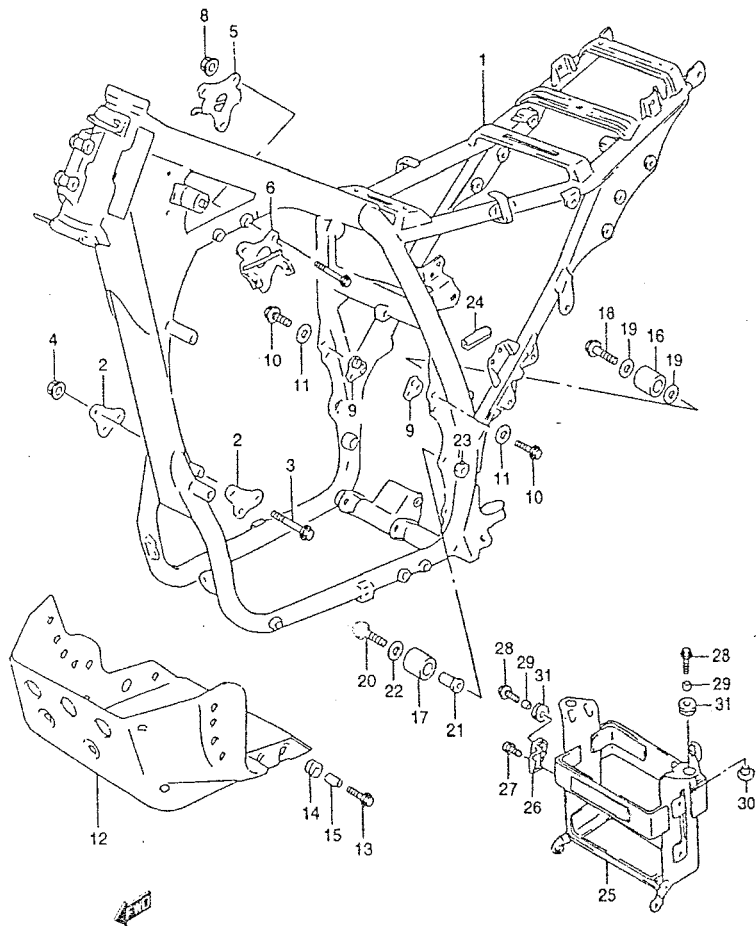


FIG.29 (F-2) FRAME

REF NO.	PART NO.	DESCRIPTION	QTY	REMARKS
1	41100-31D01-24K	FRAME (CHARCOAL)	1	
2	41911-44B00-019	PLATE, FRONT (BLACK)	2	
3	09103-08293	BOLT, FRONT	2	
4	09159-08103	NUT	2	
5	41890-44B02-019	PLATE, UPPER RH (BLACK)	1	
6	41990-44B02-019	PLATE, UPPER LH (BLACK)	1	
7	09103-08332	BOLT	2	
8	09159-08103	NUT	2	
9	41950-44B00-019	PLATE, REAR (BLACK)	2	
10	01550-08253	BOLT	4	
11	08321-01083	LOCK WASHER	4	
12	42511-44B00-30H	PROTECTOR, ENGINE (WHITE)	1	
13	09116-06010	BOLT	4	
14	09320-09016	CUSHION	4	
15	09180-06263	SPACER	4	
16	43910-27C11	ROLLER, CHAIN UPPER	1	
17	43911-01B10	ROLLER, CHAIN LOWER	1	
18	09103-08083	BOLT, UPPER	1	
19	09181-08111	WASHER, UPPER	2	
20	09103-10197	BOLT, LOWER	1	
21	43916-44B00	SPACER, LOWER	1	
22	08211-10221	WASHER	1	
23	08319-31103	NUT	1	
24	94635-19C00	MOLDING, BREATHER TUBE	1	
25	41540-31D01	HOLDER, BATTERY	1	
26	41550-31D00	PLATE, SIDE	1	
27	01570-06103	BOLT, SIDE	1	
28	09116-06093	BOLT (6X25)	3	
29	09180-06038	SPACER, SIDE	1	
30	09169-06065	SPACER, UPPER LOWER	2	
31	09320-08021	CUSHION	3	

4

FIG.30

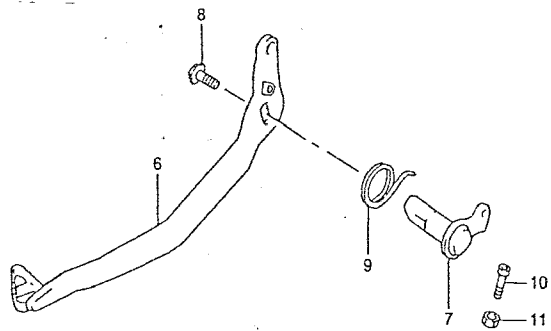


FIG.30 (F-3) STAND - REAR BRAKE

REF NO.	PART NO.	DESCRIPTION	QTY	REMARKS
1	42310-31D00-019	STAND, PROP (BLACK)	1	
2	09443-15041	SPRING, INNER	1	
3	09443-22010	SPRING, OUTER	1	
4	09111-10048	BOLT	1	
5	09159-10097	NUT	1	
6	43110-44B21	PEDAL, BRAKE	1	
7	43120-44B00	ARM, PEDAL	1	
8	09106-08102	BOLT	1	
9	09448-32018	SPRING	1	
10	09100-06009	BOLT (6X27)	1	
11	08310-00063	NUT	1	

4

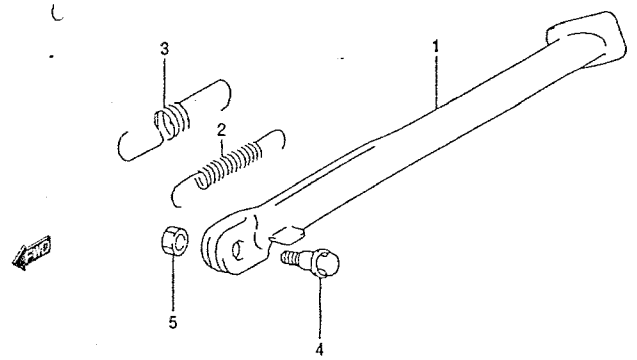




FIG.31

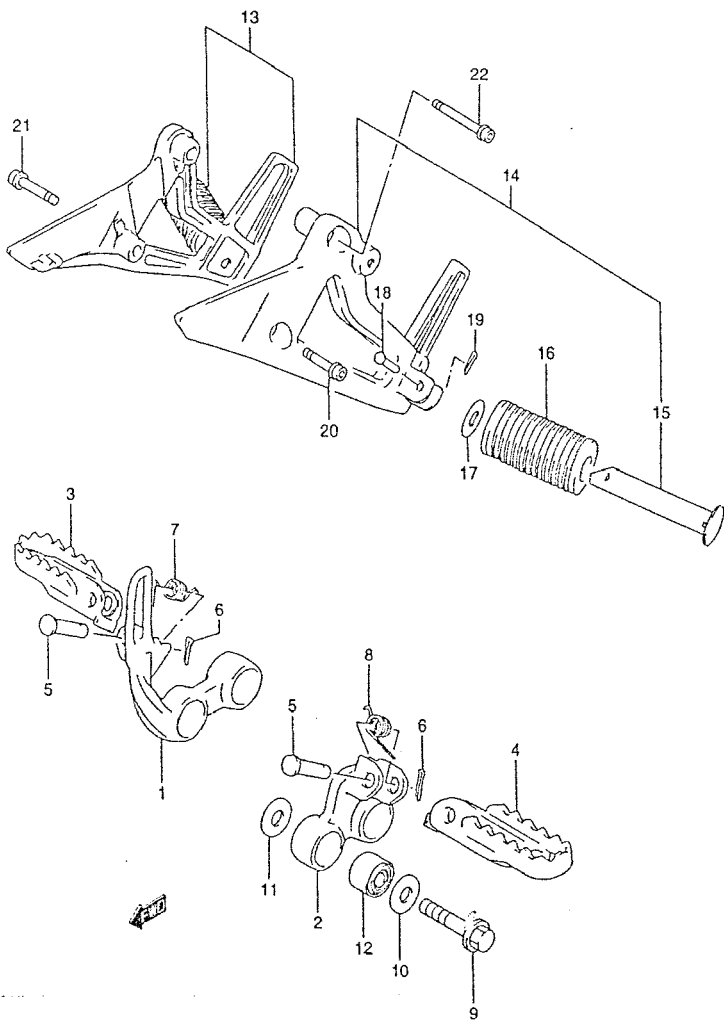


FIG.31 (F-4) FOOTREST

REF NO.	PART NO.	DESCRIPTION	QTY	REMARKS
1	43510-44B10-019	BAR, FOOTREST RH (BLACK)	1	
2	43520-44B10-019	BAR, FOOTREST LH (BLACK)	1	
3	43550-44B10-019	FOOTREST, FRONT RH (BLACK)	1	
4	43560-44B10-019	FOOTREST, FRONT LH (BLACK)	1	
5	09200-10008	PIN	2	
6	04111-20208	COTTER PIN	2	
7	09448-15008	SPRING, RH	1	
8	09448-15004	SPRING, LH	1	
9	09103-10255	BOLT	4	
10	09160-10128	WASHER	6	
11	09160-10124	WASHER, RH INNER	2	
12	09319-10065	BUSH	4	
13	43600-31D01-13L	FOOTREST, PILLION RH (SILVER)	1	
14	43700-31D01-13L	FOOTREST, PILLION LH (SILVER)	1	
15	43610-31D01	BAR, PILLION FOOTREST	2	
16	43612-44B00	RUBBER	2	
17	09160-19024	WASHER	2	
18	09200-06041	PIN	2	
19	04111-20158	COTTER PIN	2	
20	09106-08120	BOLT, LOWER LH	1	
21	09106-08121	BOLT, LOWER RH	1	
22	09106-08122	BOLT, BRACKET	2	

4

**FIG.32**

**FIG.32 (F-5) SPORT CARRIER**

REF NO.	PART NO.	DESCRIPTION	QTY	REMARKS
1	46310-31D11-13L	CARRIER, SPORT (SILVER)	1	
2	46312-31D11	CUSHION, FRONT	2	
3	07130-08557	BOLT, FRONT	2	
4	08319-31087	NUT	2	
5	46321-31D10	MAT, SPORTS CARRIER	1	
6	09136-05034	SCREW	6	
7	01550-06253	BOLT, CENTER	3	

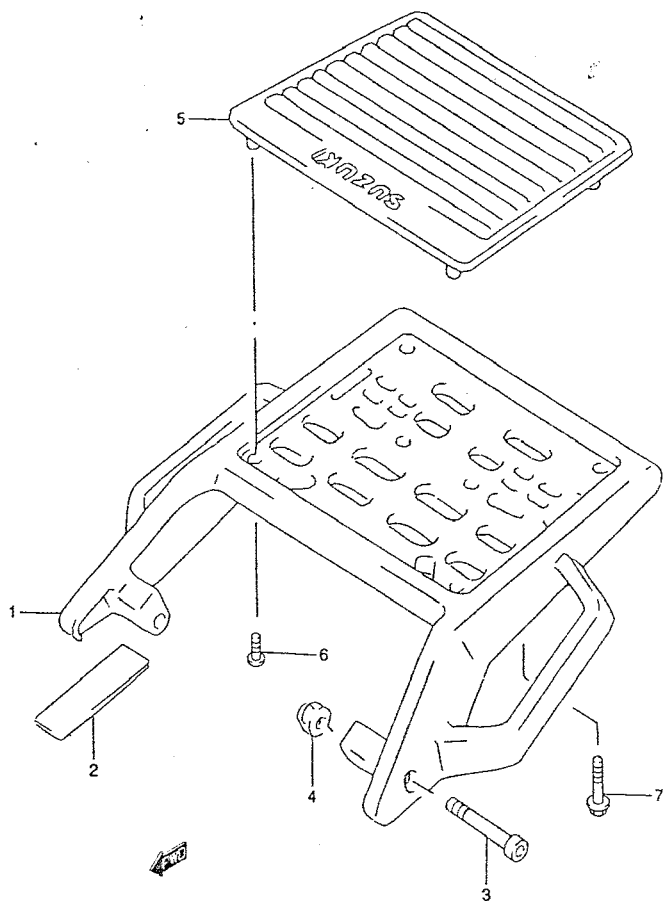
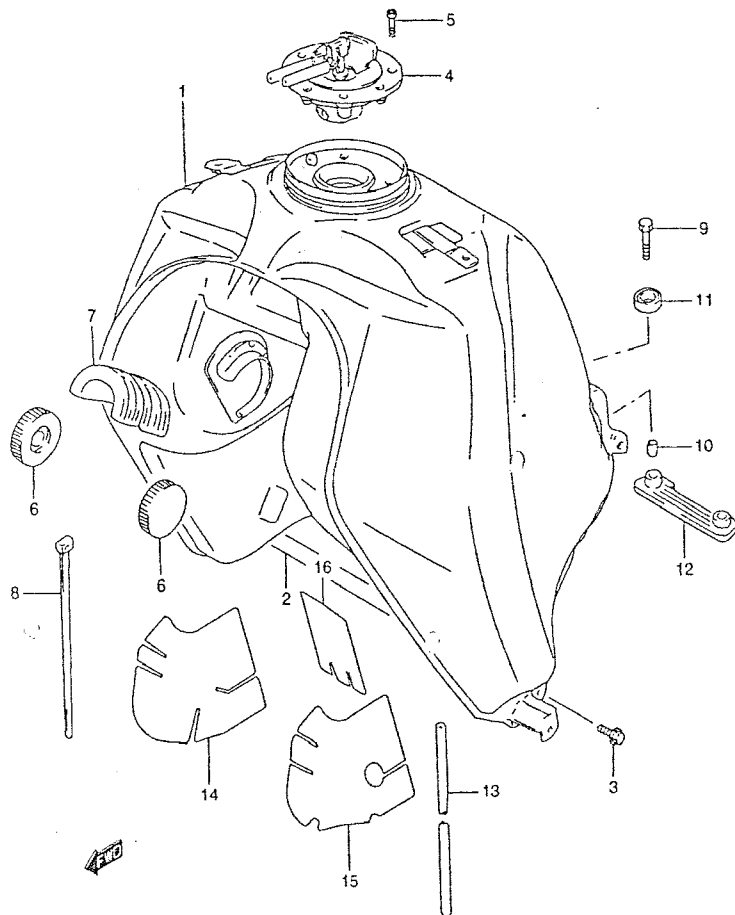


FIG.33

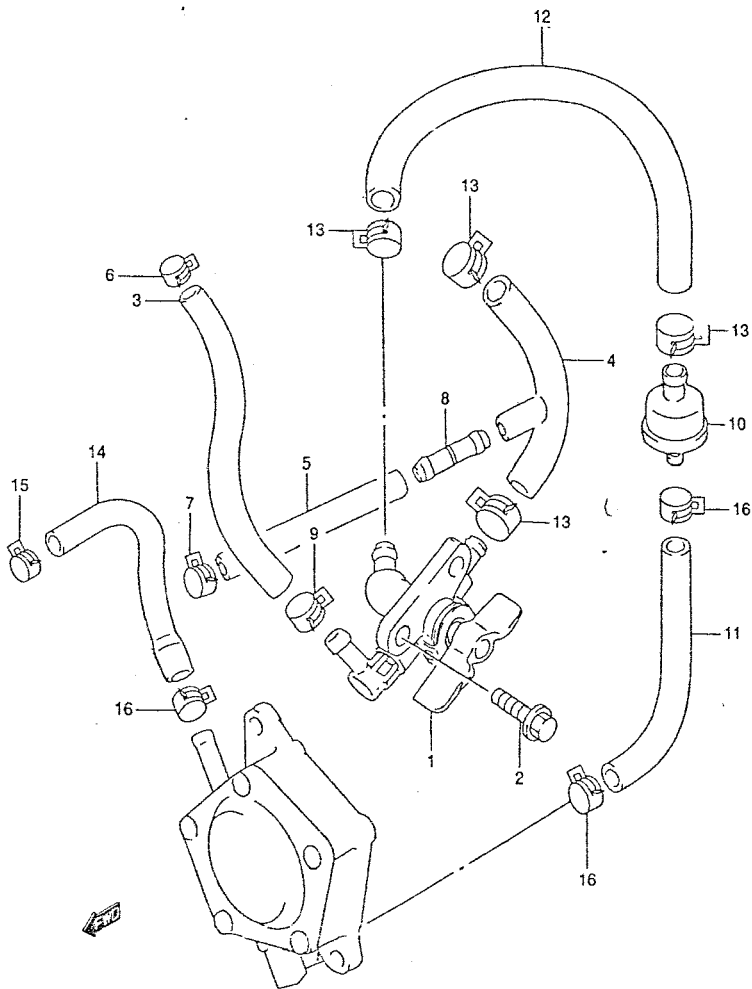
FIG.33 (F-6) FUEL TANK



REF NO.	PART NO.	DESCRIPTION	QTY	REMARKS
1	44110-31D14-019	TANK ASSY, FUEL (BLACK)	1	
2	44520-31D00	TUBE, FUEL TANK	1	
3	01550-08163	BOLT	2	
4	44201-01832	CAP SET, FUEL TANK	1	
5	09106-05017	BOLT	4	
6	44511-12D00	CUSHION, FRONT	2	
7	44541-31D00	CUSHION, UPPER	1	
8	09407-25402	CLAMP	1	
9	01560-08303	BOLT, REAR	2	
10	09180-08204	SPACER, REAR	2	
11	44513-31D00	CUSHION, UPPER	2	
12	44512-31D00	CUSHION, LOWER	1	
13	09352-70103-00B	HOSE, WATER DRAIN	1	L:2000-770
14	44287-31D00	HEAT SHIELD, RH	1	
15	44268-31D00	HEAT SHIELD, LH	1	
16	44269-31D00	HEAT SHIELD, CENTER	1	

**FIG.34**

**FIG.34 (F-7) FUEL COCK**



REF NO.	PART NO.	DESCRIPTION	QTY	REMARKS
1	44300-31D01	COCK ASSY. FUEL	1	
2	07120-06163	BOLT	2	
3	09359-50822-600	HOSE, FUEL ON	1	L:600→140
4	44421-31D00	HOSE, FUEL RES	1	
5	09352-53103-600	HOSE, FUEL RES NO.2	1	L:600→120
6	09401-08411	CLIP	1	
7	09401-10411	CLIP	1	
8	09364-06008	UNION, FUEL HOSE	1	
9	09401-10411	CLIP	2	
10	15410-94350	FILTER, FUEL	1	
11	09352-53103-600	HOSE, FUEL FILTER & PUMP	1	L:600→90
12	09355-70125-600	HOSE, FUE FILTER & COCK	1	L:600→200
13	09401-12404	CLIP	4	
14	09359-50822-600	HOSE, PUMP & CARB	1	L:600→80
15	09401-08411	CLIP	1	
16	09401-10409	CLIP	3	

FIG.35

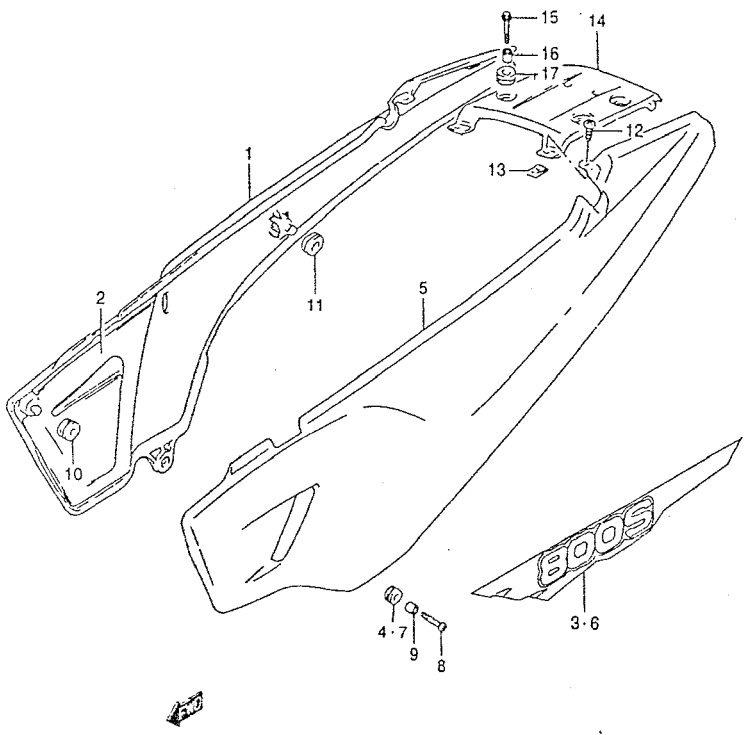


FIG.35 (F-8) FRAME COVER

REF NO.	PART NO.	DESCRIPTION	QTY	REMARKS
1-1	47111-31D00-22U	COVER, FRAME RH (MAROON)	1	
1-2	47111-31D00-33J	COVER, FRAME RH (BLACK)	1	FOR 33J, 2AX
1-3	47111-31D00-1LF	COVER, FRAME RH (BLUE)	1	
2	47166-31D00	HEAT SHIELD	1	
3-1	68135-31D10-G5L	TAPE, RH	1	FOR 33J, 2AX
3-2	68135-31D10-G5M	TAPE, RH	1	FOR 22U
3-3	68135-31D10-M6W	TAPE, RH	1	FOR 1LF
4	09320-09016	CUSHION	2	
5-1	47211-31D00-22U	COVER, FRAME LH (MAROON)	1	
5-2	47211-31D00-33J	COVER, FRAME LH (BLACK)	1	FOR 33J, 2AX
5-3	47211-31D00-1LF	COVER, FRAME LH (BLUE)	1	
6-1	68145-31D10-G5L	TAPE, LH	1	FOR 33J, 2AX
6-2	68145-31D10-G5M	TAPE, LH	1	FOR 22U
6-3	68145-31D10-M6W	TAPE, LH	1	FOR 1LF
7	09320-09016	CUSHION	2	
8	09136-06081	SCREW	4	
9	09180-06307	SPACER	4	
10	09320-08013	CUSHION, FRONT	2	
11	09320-08029	CUSHION, CENTER	2	
12	03241-05123	SCREW, CENTER	2	
13	09148-05038	NUT	2	
14-1	47311-31D00-22U	COVER, FRAME CENTER (MAROON)	1	
14-2	47311-31D00-33J	COVER, FRAME CENTER (BLACK)	1	FOR 33J, 2AX
14-3	47311-31D00-1LF	COVER, FRAME CENTER (BLUE)	1	
15	01550-06253	BOLT	2	
16	09180-08190	SPACER	4	
17	09320-12031	CUSHION	4	

4

FIG.36

FIG.36 (F-9) FRONT FENDER

REF NO.	PART NO.	DESCRIPTION	QTY	REMARKS
1	53110-31D30-33J	FENDER, FRONT NO.1 (BLACK)	1	
2	53311-44B20-291	FENDER, FRONT NO.2 (BLACK)	1	
3	53210-44B00	BRACE, FENDER	1	
4	09169-06041	WASHER	4	
5	01550-06203	BOLT	4	
6	02142-05123	SCREW	4	

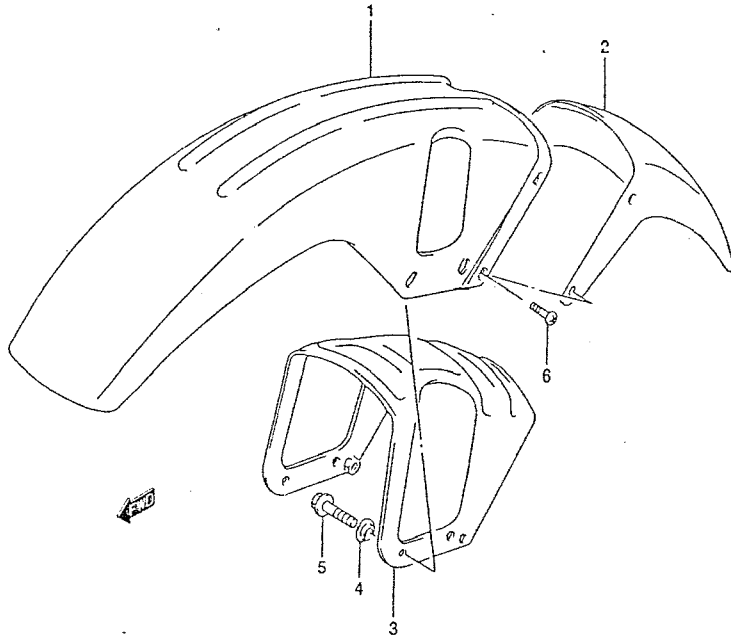


FIG.37

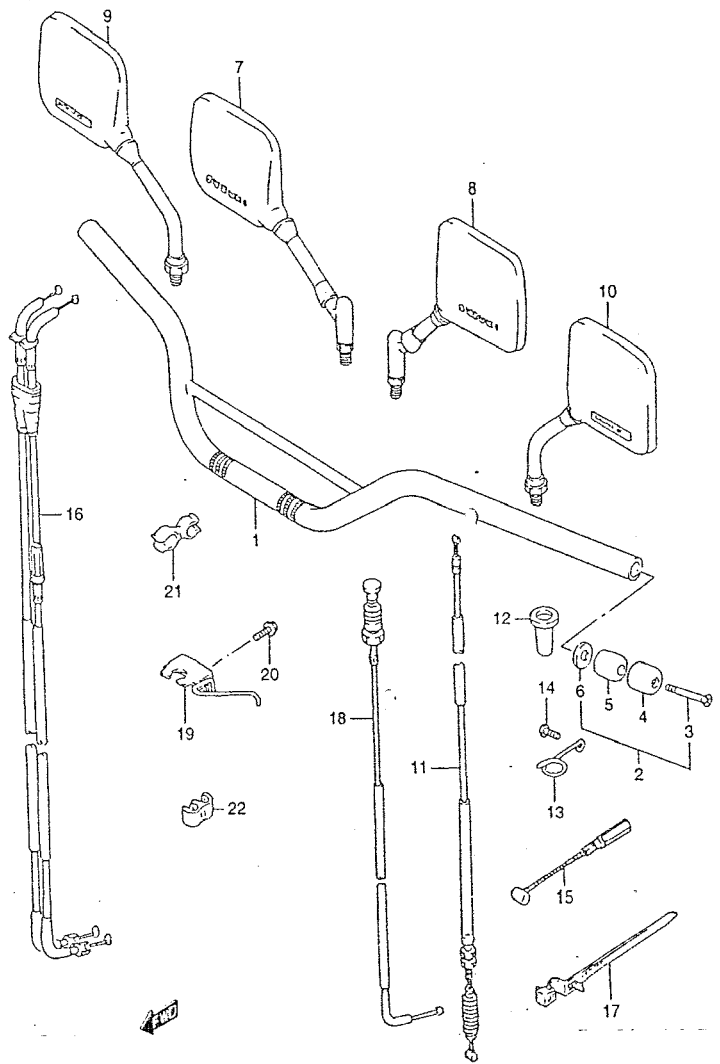
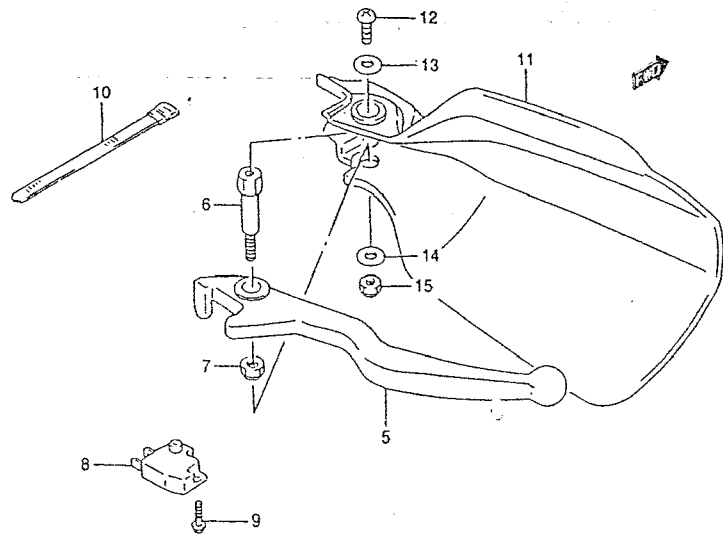


FIG.37 (G-2) HANDLEBAR

REF NO.	PART NO.	DESCRIPTION	QTY	REMARKS
1	56110-44B31-20H	HANDLEBAR (SILVER)	1	
2	56200-11831	BALANCER SET, HANDLEBAR	2	
3	02122-08453	·SCREW	2	
4	56274-05350	·CAP (BLACK)	2	
5	56271-49400	·BALANCER	2	
6	56275-34401	·SPACER	2	
7	56500-31D21	MIRROR ASSY, REAR VIEW RH	1	
8	56600-31D21	MIRROR ASSY, REAR VIEW LH	1	
9	56500-31D10	MIRROR ASSY, REAR VIEW RH	1	E22
10	56600-31D10	MIRROR ASSY, REAR VIEW LH	1	E22
11	58200-44B02	CABLE ASSY, CLUTCH	1	
12	58273-31000	BOOT, CLUTCH CABLE	1	
13	58294-15D00	GUIDE, CABLE	1	
14	02142-06123	SCREW	1	
15	58900-31D10	CABLE ASSY, DECOMPRESSION	1	
16	58300-31D10	CABLE ASSY, THROTTLE	1	
17	09407-20403	CLAMP, CABLE	1	
18	58400-31D11	CABLE ASSY, STARTER	1	
19	58490-31D00	BRACKET, STARTER CABLE	1	
20	01550-06103	BOLT	1	
21	09408-00078	CLAMP	1	
22	09408-00101	CLIP	1	

4

**FIG.38**



**FIG.38 (G-3) RIGHT HANDLE LEVER**

REF NO.	PART NO.	DESCRIPTION	QTY	REMARKS
1	57110-12D11	GRIP, THROTTLE	1	
2	57100-14D00	CASE ASSY, THROTTLE	1	
3	09125-05066	-SCREW, UPPER	1	
4	02112-05203	-SCREW	1	
5	57421-13001	LEVER, BRAKE	1	
6	57431 05D00	BOLT, PIVOT	1	
7	57433-09F00	NUT	1	
8	57460-17C00	SWITCH ASSY, STOP	1	
9	57465-17C00	-SCREW	1	
10	09407-12402	CLAMP (L:120)	2	
11	57341-05D00-019	COVER, KNUCKLE RH (BLUE)	1	
12	02142-05107	SCREW	1	
13	09160-05043	WASHER	1	
14	09160-06130	WASHER	1	
15	08319-21068	NUT	1	

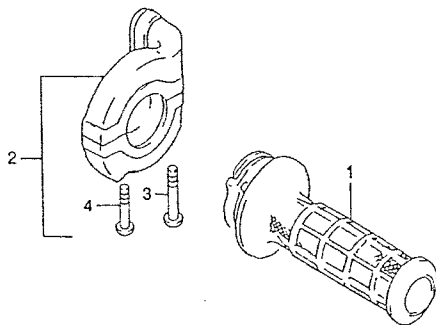




FIG.39

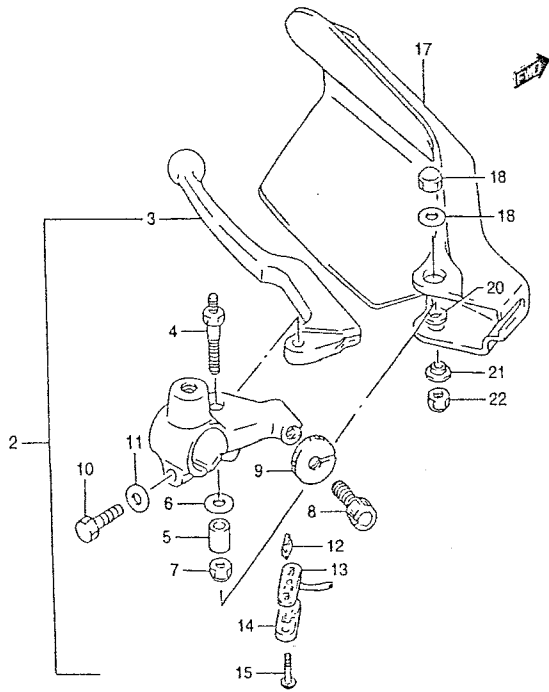
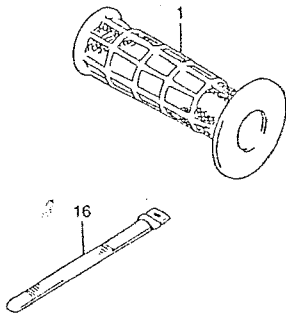


FIG.39 (G-4) LEFT HANDLE LEVER

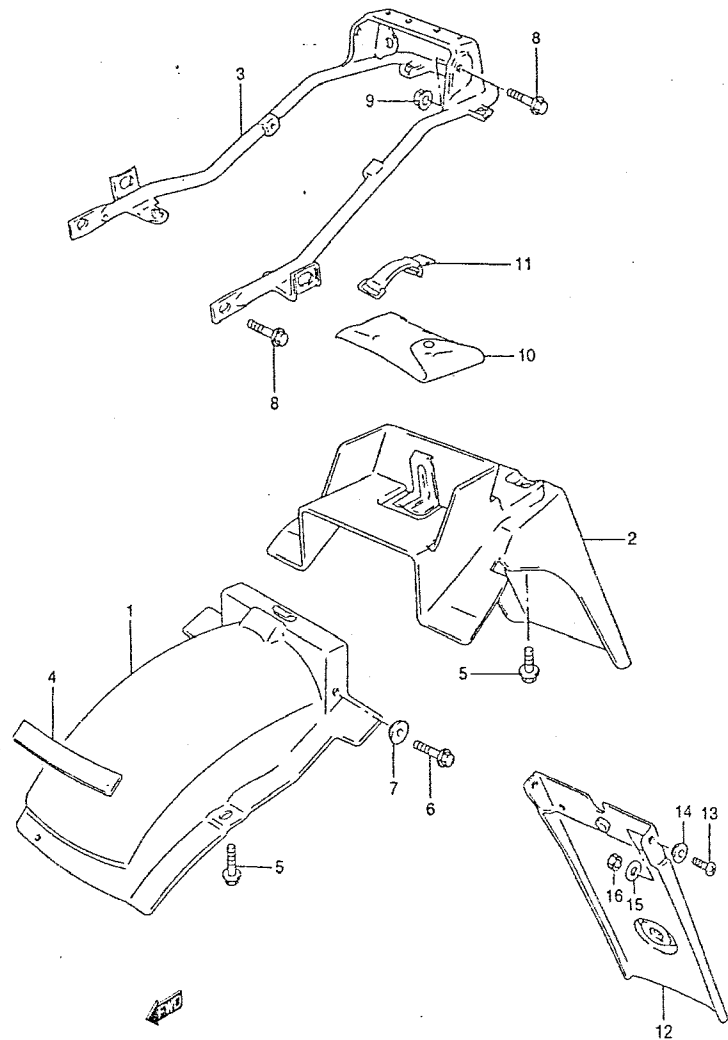
REF NO.	PART NO.	DESCRIPTION	QTY	REMARKS
1	57211-12D00	GRIP, LH	1	
2	57500-44B01	LEVER ASSY, CLUTCH	1	
3	57620-49111	LEVER, CLUTCH	1	
4	57531-44B01	BOLT	1	
5	57532-44B00	SPACER	1	
6	57533-44B00	WASHER	1	
7	08319-21063	NUT	1	
8	57441-44400	ADJUSTER	1	
9	57442-44B00	NUT	1	
10	01204-06204	BOLT	1	
11	08322-01063	WASHER	1	
12	57465-18601	CONTACT	1	
13	57541-49100	WIRE ASSY	1	
14	57481-33010	COVER <i>32A10</i>	1	
15	57484-49110	SCREW	2	
16	09407-12402	CLAMP (L:120)	2	
17	57541-31D00-019	COVER, KNUCKLE LH (BLACK)	1	
18	08313-10067	NUT	1	
19	09160-06088	WASHER	1	
20	09160-06019	WASHER	1	
21	09169-06055	WASHER	1	
22	08319-21068	NUT	1	

4



**FIG.40**

**FIG.40 (G-5) REAR FENDER**



REF NO.	PART NO.	DESCRIPTION	QTY	REMARKS
1	63112-31D00	BODY, REAR FENDER FRONT	1	
2-1	63110-31D00	BODY, REAR FENDER REAR	1	
2-2	63110-31D20	BODY, REAR FENDER REAR	1	E22
3	63120-31D00	REINFORCEMENT, REAR FENDER	1	
4	63192-31D01	CUSHION, REAR FENDER	1	
5	09118-06067	BOLT	4	
6	09116-06006	BOLT	2	
7	09169-06041	WASHER	2	
8	01550-08203	BOLT	4	
9	08319-31087	NUT	2	
10	09800-21023	TOOL ASSY	1	
11	09462-00072	BAND	1	
12	63331-44B21	MUD GUARD, REAR FENDER	1	E22
13	02142-06163	SCREW	4	E22
14	09169-06055	WASHER	4	E22
15	09160-06092	WASHER	4	E22
16	08310-00063	NUT	4	E22

FIG.41

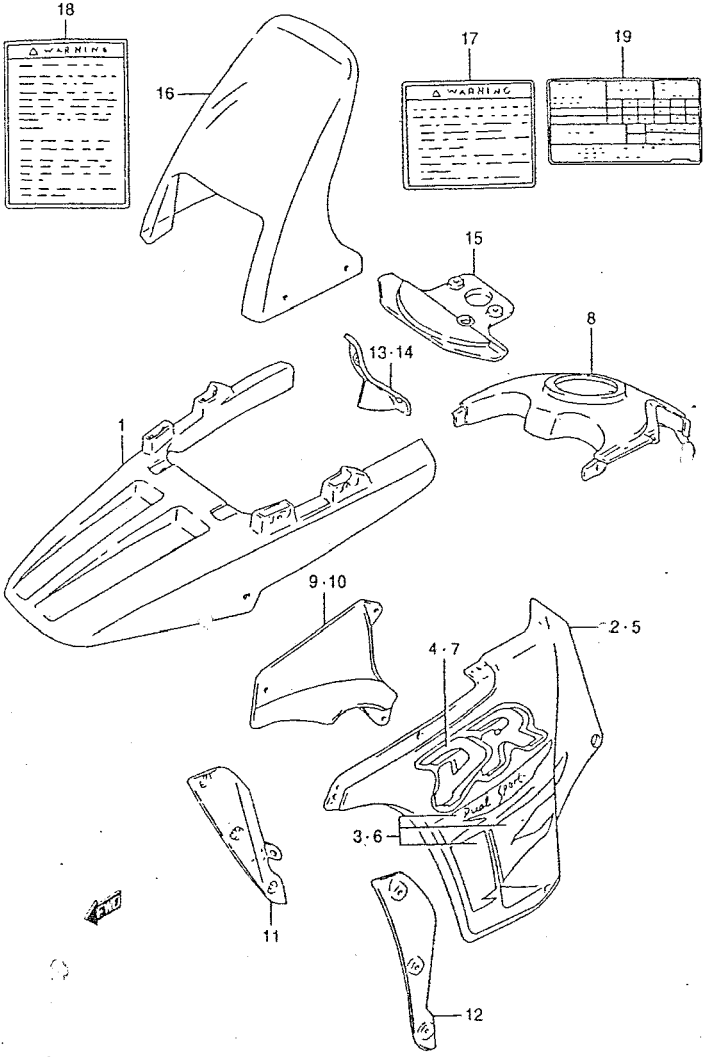


FIG.41 (G-6) COWLING BODY

REF NO.	PART NO.	DESCRIPTION	QTY	REMARKS
1-1	94401-31D30-Y0V	COWLING ASSY. FRONT (GREEN)	1	FOR 33J
1-2	94401-31D30-33J	COWLING ASSY. FRONT (GRAY)	1	FOR 22U, 2AX
1-3	94401-31D30-1LF	COWLING ASSY. FRONT (BLUE)	1	FOR 1LF
2-1	94402-31D80-33J	COWLING ASSY. SIDE RH (BLACK)	1	FOR 33J, 2AX
2-2	94402-31D80-22U	COWLING ASSY. SIDE RH (MAROON)	1	
2-3	94402-31DA0-1LF	COWLING ASSY. SIDE RH (BLUE)	1	
3-1	68680-31D50-G5N	·TAPE SET, SIDE RH	1	FOR 33J
3-2	68680-31D50-G5P	·TAPE SET, SIDE RH	1	FOR 22U
3-3	68680-31D50-M6Y	·TAPE SET, SIDE RH - fuel	1	FOR 1LF
4-1	68681-31D50-G5R	·EMBLEM	1	FOR 33J
4-2	68681-31D50-G5S	·EMBLEM	1	FOR 22U
4-3	68681-31D60-M6Z	·EMBLEM - fuel	1	FOR 1LF
5-1	94403-31D80-33J	COWLING ASSY. SIDE LH (BLACK)	1	FOR 33J, 2AX
5-2	94403-31D80-22U	COWLING ASSY. SIDE LH (MAROON)	1	
5-3	94403-31DA0-1LF	COWLING ASSY. SIDE LH (BLUE)	1	
6-1	68690-31D50-G5N	·TAPE SET, SIDE LH	1	FOR 33J, 2AX
6-2	68690-31D50-G5P	·TAPE SET, SIDE LH	1	FOR 22U
6-3	68690-31D50-M6Y	·TAPE SET, SIDE LH - fuel	1	FOR 1LF
7-1	68681-31D50-G5R	·EMBLEM	1	FOR 33J
7-2	68681-31D50-G5S	·EMBLEM	1	FOR 22U
7-3	68681-31D60-M6Z	·EMBLEM - fuel	1	FOR 1LF
8-1	94413-31D00-33J	COWLING, UPPER (BLACK)	1	FOR 33J, 2AX
8-2	94413-31D00-22U	COWLING, UPPER (MAROON)	1	
8-3	94413-31D00-1LF	COWLING, UPPER (BLUE)	1	
9	94423-31D00	PANEL, COWL INNER RH	1	
10	94424-31D00	PANEL, COWL INNER LH	1	
11	94450-31D01	COWLING, SIDE FRONT RH	1	
12	94460-31D01	COWLING, SIDE FRONT LH	1	
13	94451-31D01	PANEL, COWLING RH	1	
14	94461-31D01	PANEL, COWLING LH	1	
15	94452-31D00	COVER, COWL FRONT LOWER	1	
16	94611-31D00	SCREEN, WINDOW	1	

REFER TO FIG.42 (G-8) FOR COWLING FITTING SET

FIG.41

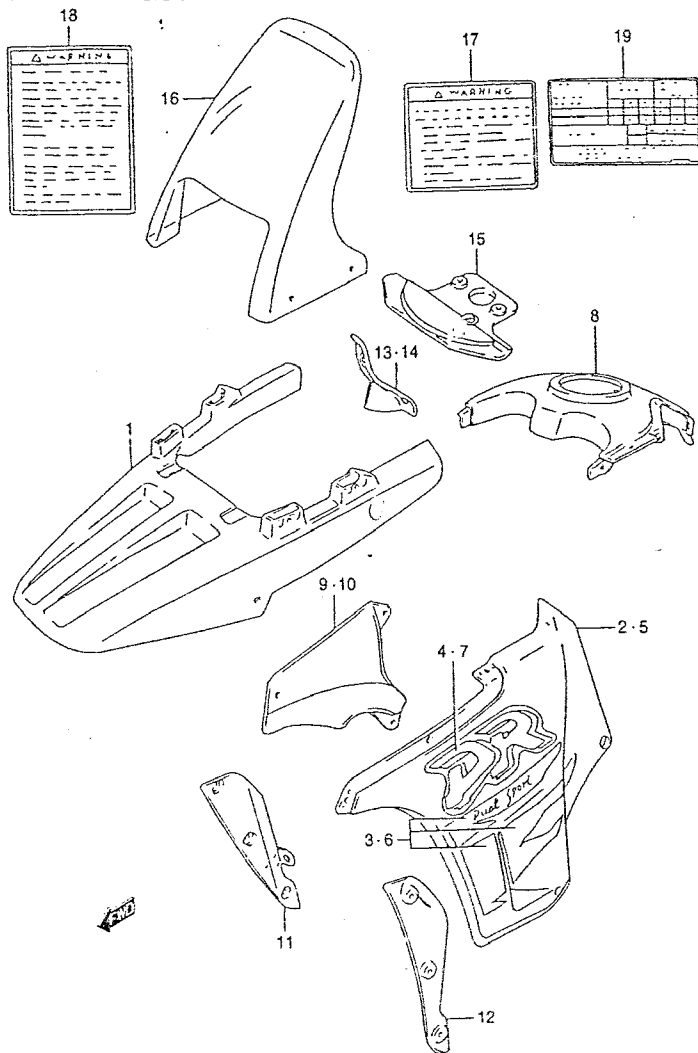


FIG.41 (G-7) COWLING BODY

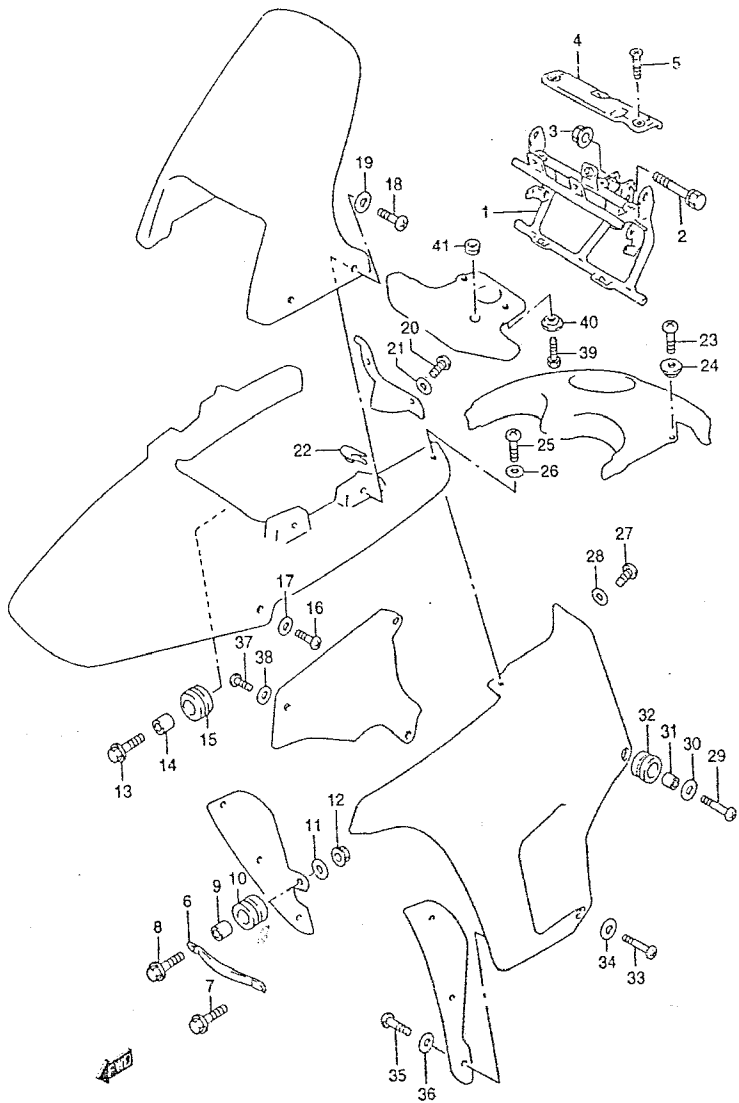
REF NO.	PART NO.	DESCRIPTION	QTY	REMARKS
17-1	68319-33E21	LABEL, WARNING SAFETY (GERMAN)	1	E22, E34
17-2	68319-33E31	LABEL, WARNING SAFETY (FRENCH)	1	E4, E34
17-3	68319-33E01	LABEL, WARNING SAFETY (ENGLISH)	1	E34
17-4	68319-33E51	LABEL, WARNING SAFETY (SPANISH)	1	E34
17-5	68319-33E71	LABEL, WARNING SAFETY (DUTCH)	1	E34
17-6	68319-33E41	LABEL, WARNING SAFETY (ITALIAN)	1	E34
17-7	68319-33E81	LABEL, WARNING SAFETY (POTUGUESE)	1	P37
18-1	68612-48E00	LABEL, WARNING SCREEN (ENGLISH)	1	E34, P37
18-2	68612-48B10	LABEL, WARNING SCREEN (FRENCH)	1	E4, E34
18-3	68612-48B20	LABEL, WARNING SCREEN (GERMAN)	1	E22
19-1	68332-44B10	LABEL, TIRE AIR PRESSURE	1	
19-2	68332-44B30	LABEL, TIRE AIR PRESSURE	1	E22
20	99011-31D56-042	MANUAL, OWNERS	1	DRAWING NOT SHOWN

REFER TO FIG.42 (G-8) FOR COWLING FITTING SET

4

FIG.42

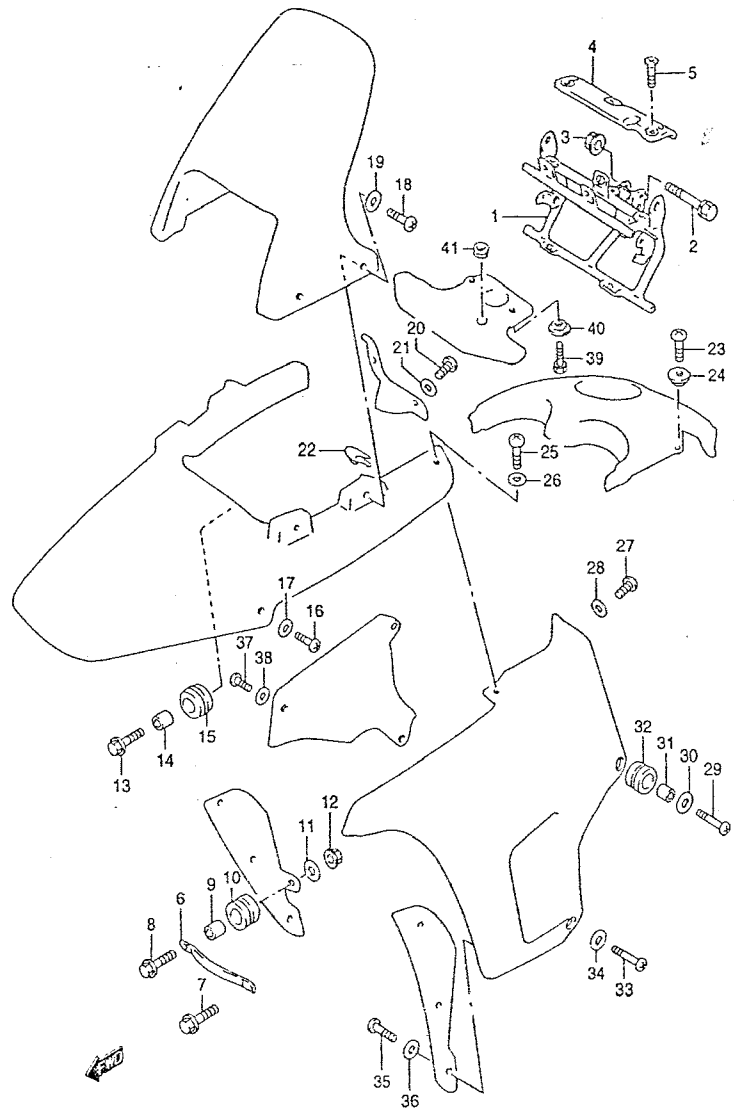
FIG.42 (G-8) COWLING FITTING SET



REF NO.	PART NO.	DESCRIPTION	QTY	REMARKS
1	94510-31D00	BRACE, COWLING	1	
2	01570-08453	BOLT (8X45)	2	
3	08313-20083	NUT	1	
4	94593-31D01	COVER, COWLING BRACE	1	
5	02142-06123	SCREW (6X12)	3	
6	94541-31D00	BRACE, COWLING SIDE RH	1	
7	01580-06163	BOLT (6X16)	1	
8	01550-06203	BOLT (6X20)	1	
9	09180-06038	SPACER	1	
10	09320-08021	CUSHION	1	
11	09160-06088	WASHER	1	
12	08319-31063	NUT	1	
13	09116-06093	BOLT, FRONT CENTER (6X25)	2	
14	09180-06307	SPACER	2	
15	09320-08047	CUSHION	2	
16	09139-05044	SCREW, FRONT SIDE (5X16)	2	
17	09161-07009	WASHER	2	
18	09139-05022	SCREW, SCREEN (5X16)	4	
19	09161-05010	WASHER	4	
20	09139-05021	SCREW, PANEL (5X12)	4	
21	09160-05037	WASHER	4	
22	94484-32B00	NUT, PANEL	2	

4

**FIG.42**



**FIG.42 (G-9) COWLING FITTING SET**

REF NO.	PART NO.	DESCRIPTION	QTY	REMARKS
23	09139-05021	SCREW, UPPER COWL (5X12)	2	
24	09161-05017	WASHER	2	
25	09139-05044	SCREW, SIDE UPPER (5X16)	2	
26	09161-07009	WASHER	2	
27	09139-05044	SCREW, SIDE REAR (5X16)	2	
28	09160-07015	WASHER	2	
29	09139-06050	SCREW, SIDE REAR (6X20)	2	
30	09160-06056	WASHER	2	
31	09180-06307	SPACER	2	
32	09320-09016	CUSHION	2	
33	09139-05025	SCREW, SIDE LOWER (5X14)	2	
34	09161-05017	WASHER	2	
35	02142-05103	SCREW, SIDE COWL FRONT (5X10)	6	
36	09160-05037	WASHER	6	
37	02142-05103	SCREW, INNER PANEL (5X10)	6	
38	09160-05037	WASHER	6	
39	01500-06163	BOLT, LOWER COVER (6X16)	2	
40	09169-06071	WASHER	2	
41	09308-16006	GROMMET, LOWER COVER	1	

FIG.43

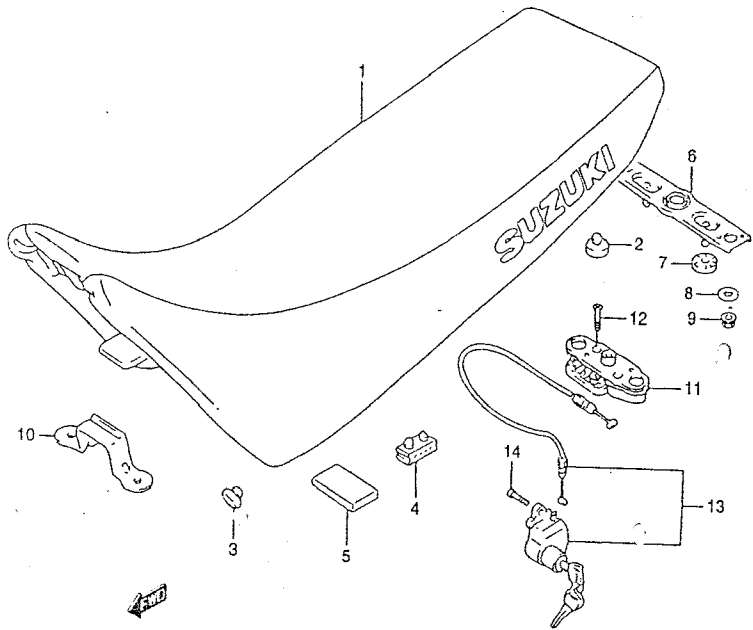
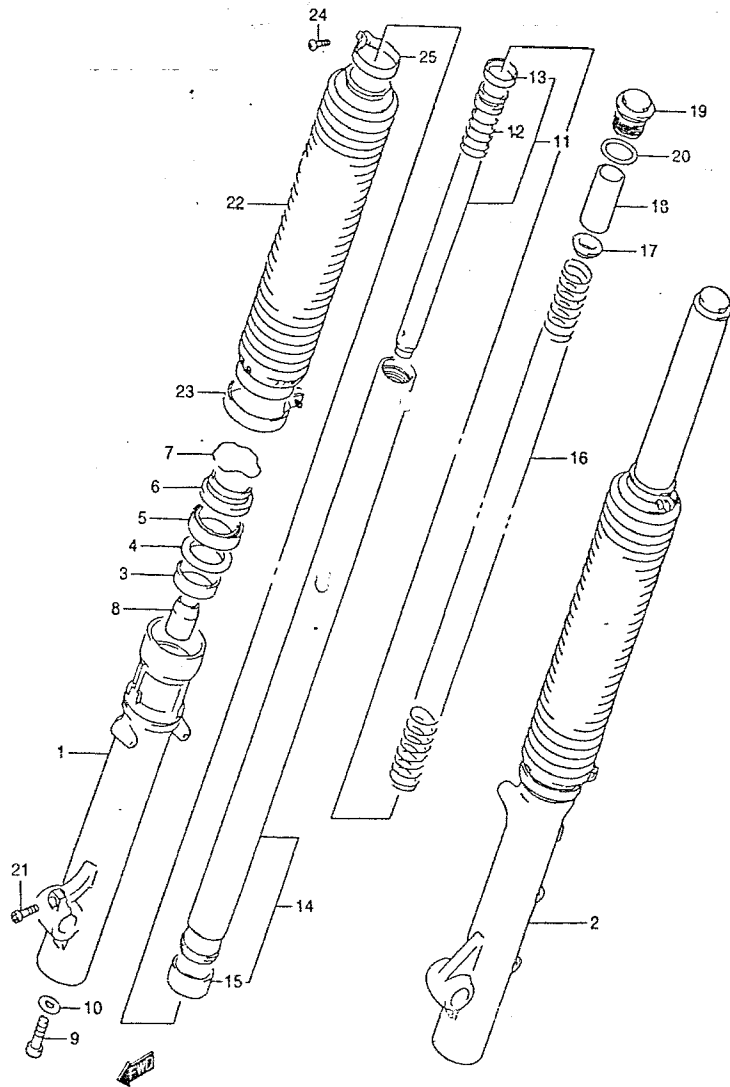


FIG.43 (G-10) SEAT

REF NO.	PART NO.	DESCRIPTION	QTY	REMARKS
1	45100-31D02-A4D	SEAT SET (BLACK/GRAY)	1	
2	09321-10012	-CUSHION	2	
3	09329-10001	-CUSHION, FRONT	1	
4	45149-31300	-CUSHION	4	
5	45255-02100	-CUSHION, BATTERY STOPPER	1	
6	45210-22A00	-STRIKER, SEAT LOCK	1	
7	45213-13601	-CUSHION, STRIKER	2	
8	08212-06201	-WASHER	2	
9	08316-20063	-NUT	2	
10	45119-31D00	BRACKET, SEAT HOOK FRONT	1	
11	45220-20A01	LOCK ASSY, STRIKER	1	
12	02122-06303	SCREW	2	
13	95700-31850	LOCK SET, SEAT	1	
14	09106-06075	SCREW (6X12)	1	

FIG.44

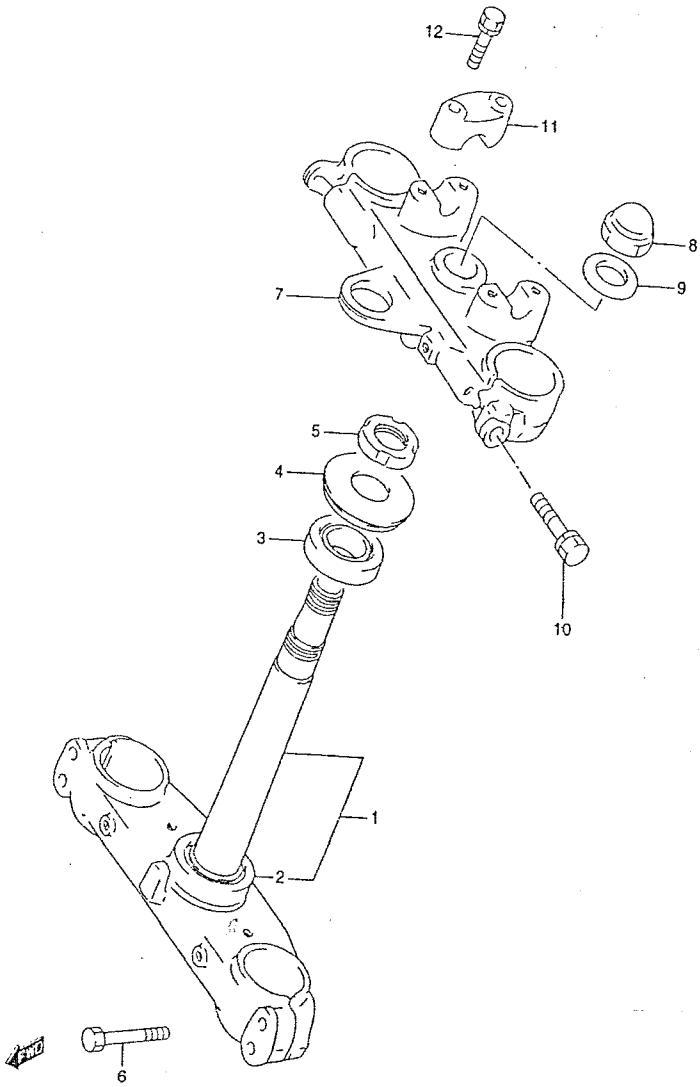
FIG.44 (H-2) FRONT FORK



REF NO.	PART NO.	DESCRIPTION	QTY	REMARKS
	51103-31D00	DAMPER ASSY, FRONT FORK RH	1	
	51104-31D00	DAMPER ASSY, FRONT FORK LH	1	
1	51130-31D00	TUBE, OUTER RH	1	
2	51140-31D00	TUBE, OUTER LH	1	
3	51167-40C00	METAL, SLIDE	2	
4	51158-14200	WASHER, LOWER	2	
5	51153-14330	OIL SEAL	2	
6	51173-14330	DUST SEAL	2	
7	51156-14200	SNAP RING	2	
8	51195-06C00	PIECE, OIL LOCK	2	
9	51147-14200	BOLT	2	
10	51148-14200	GASKET	2	
11	51146-31D00	CYLINDER	2	
12	51177-14330	SPRING	2	
13	51196-31D00	RING, PISTON	2	
14	51120-31D00	TUBE, INNER	2	
15	51121-40C00	PISTON	2	
16	51171-31D00	SPRING	2	
17	51172-14200	GUIDE, SPRING	2	
18	51176-14520	SPACER	2	
19	51351-31D00	BOLT, FORK	2	
20	51117-14200	O RING	2	
21	51138-44B00	BOLT, RH	1	
22	51571-01B20-1LU	BOOT (GRAY)	2	
23	51576-31D00	BAND, BOOT LOWER	2	
24	51577-01B20	SCREW, UPPER	2	
25	51575-01B20	BAND, BOOT UPPER	2	



**FIG.45**

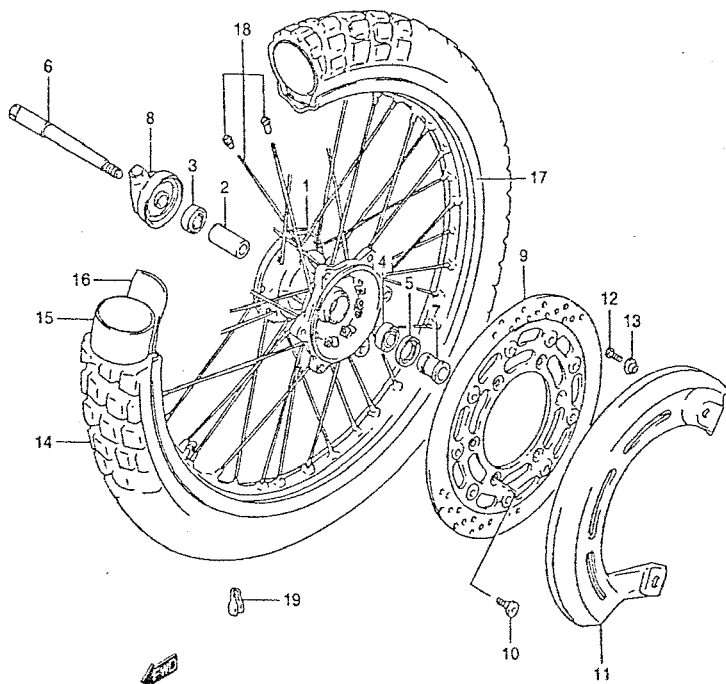


**FIG.45 (H-3) STEERING STEM**

REF NO.	PART NO.	DESCRIPTION	QTY	REMARKS
1	51410-31D00	STEM, STEERING	1	
2	09265-30009	BEARING (30X55X17)	1	
3	09265-25019	BEARING, UPPER (25X47X15)	1	
4	51643-40200	DUST SEAL	1	
5	51631-40200	NUT, STEERING STEM	1	
6	51328-31D00	BOLT, LOWER BRACKET	1	
7	51310-31D00	HEAD, STEERING STEM	4	
8	51353-24B00	NUT	1	
9	51356-24B01	WASHER	1	
10	01570-10453	BOLT, UPPER BRACKET	1	
11	56211-27200-291	HOLDER, HANDLE UPPER (BLACK)	2	
12	01570-08353	BOLT	2	
			4	

FIG.46

FIG.46 (H-4) FRONT WHEEL



REF NO.	PART NO.	DESCRIPTION	QTY	REMARKS
1	54111-31D01	HUB, FRONT WHEEL	1	
2	54731-44B00	SPACER, FRONT HUB	1	
3	08113-62027	BEARING, RH	1	
4	08123-62027	BEARING, LH	1	
5	09284-22004	SEAL, HUB LH (22X35X5)	1	
6	54711-14D00	AXLE, FRONT	1	
7	54751-14D00	SPACER, AXLE, LH	1	
8	54600-14D00	BOX ASSY, SPEEDOMETER GEAR	1	
9	59220-31D10	DISC, FRONT BRAKE (BLACK/BLACK)	1	
10	59421-03A10	BOLT (8X20)	6	
11	59231-31D10	COVER, BRAKE DISC (BLACK)	1	
12	02142-06127	SCREW	2	
13	09169-06041	WASHER	2	
14	55110-31D00	TIRE, FRONT (90/90-21 54S) BRIDGESTONE	1	
15	55200-16510	TUBE ASSY, WHEEL INNER	1	
16	55261-14540	PROTECTOR, INNER TUBE	1	
17	55311-44B00	RIM, FRONT WHEEL (1.85X21)	1	
18	55320-31D00	SPOKE SET, FRONT WHEEL	1	
19-1	55412-38A00	BALANCER, WHEEL (20G)	0~2	
19-2	55413-38A00	BALANCER, WHEEL (30G)	0~2	

FIG.47

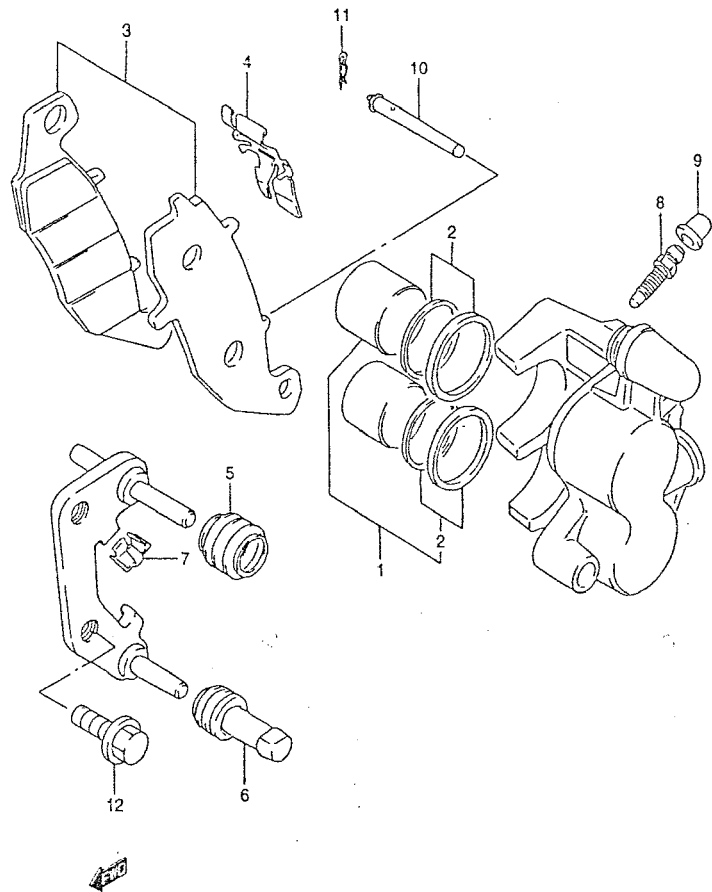


FIG.47 (H-5) FRONT CALIPER

REF NO.	PART NO.	DESCRIPTION	QTY	REMARKS
	59300-33D10	CALIPER ASSY, FRONT LH	1	
1	59300-33830	PISTON SET	1	
2	59300-33840	SEAL SET, PISTON	1	
3	59300-33860	PAD SET	1	
4	59315-33D00	SPRING LH	1	
5	59112-44B00	BOOT	1	
6	59313-36500	INSULATOR	1	
7	59116-33D00	GUIDE	1	
8	59121-18410	BLEEDER	1	
9	55156-66310	CAP	1	
10	59141-44B01	PIN	1	
11	69142-45000	CLIP	1	
12	01550-10253	BOLT	2	

FIG.48

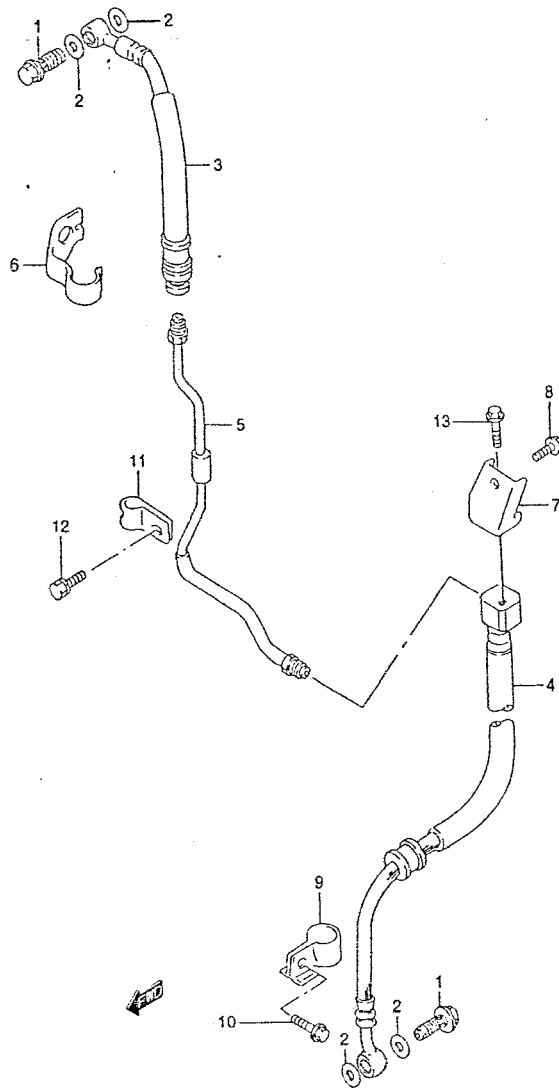
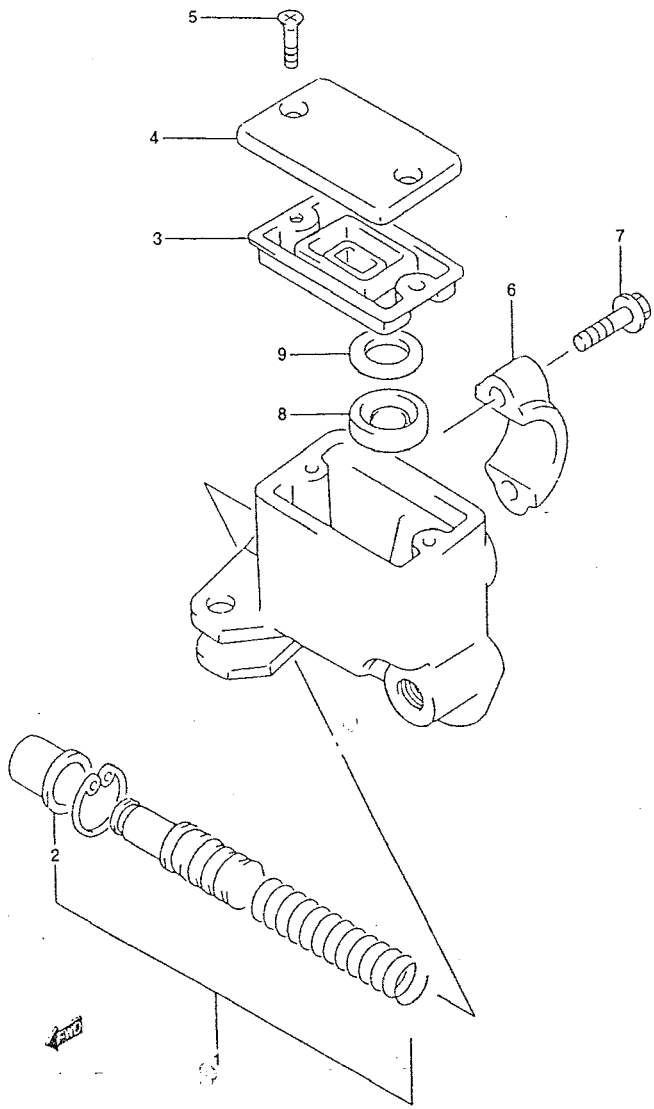


FIG.48 (H-6) FRONT BRAKE HOSE

REF NO.	PART NO.	DESCRIPTION	QTY	REMARKS
1	09360-10040	BOLT (10X1.25X22)	2	
2	09161-10009	WASHER	4	
3	59480-31D01	HOSE, FRONT BRAKE NO.1	1	
4	59240-31D10	HOSE, FRONT BRAKE NO.2	1	
5	59250-31D00	PIPE, FRONT BRAKE	1	
6	59266-31D00	CLAMP, HOSE NO.1	1	
7	59243-31D00	BRACKET, HOSE NO.2	1	
8	01550-06103	BOLT	1	
9	59260-31D00	CLAMP, HOSE NO.2	1	
10	01547-06207	BOLT	1	
11	09403-06401	CLAMP, PIPE	1	
12	01570-06103	BOLT	1	
13	01547-06103	BOLT, HOSE JOINT	1	

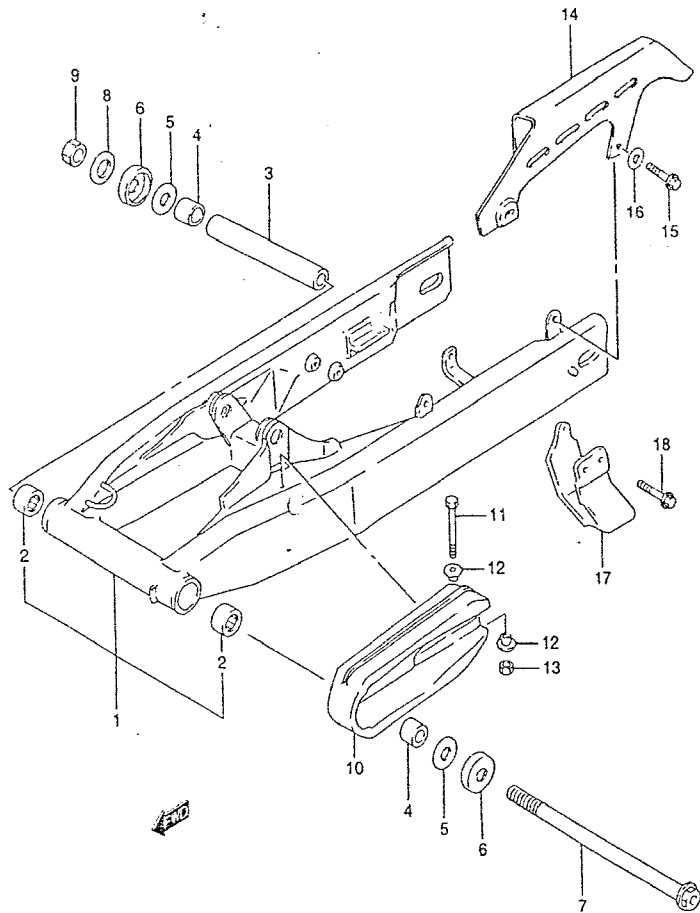
**FIG.49**



**FIG.49 (H-7) FRONT MASTER CYLINDER**

REF NO.	PART NO.	DESCRIPTION	Q'TY	REMARKS
	59600-31D00	CYLINDER ASSY, FRONT MASTER	1	
1	59600-04810	PISTON & CUP SET	1	
2	59666-44300	BOOT	1	
3	59667-44B00	DIAPHRAGM	1	
4	69669-24A01	CAP	1	
5	69689-49300	SCREW	2	
6	59671-36500	HOLDER	1	
7	59675-19C00	BOLT	2	
8	59748-15400	SEPARATOR	1	
9	59749-15400	PLATE	1	

**FIG.50**



**FIG.50 (1-2) REAR SWINGING ARM**

REF NO.	PART NO.	DESCRIPTION	QTY	REMARKS
1	61000-31D02-13L	SWINGING ARM ASSY, REAR (SILVER)	1	
2	09263-22022	-BEARING (22X29X20)	2	
3	61282-14A00	SPACER, CENTER	1	
4	61251-32410	SPACER, PIVOT	2	
5	08211-16341	WASHER	2	
6	61262-14A00	DUST SEAL, PIVOT	2	
7	61211-12D10	SHAFT, PIVOT	1	
8	08322-01163	WASHER	1	
9	08319-21168	NUT	1	
10	61273-31D00	BUFFER, CHAIN TOUCH DEFENSE	1	
11	61275-31D00	BOLT, BUFFER	1	
12	09169-06068	WASHER	2	
13	08319-31053	NUT	1	
14	61311-36A00	CASE, CHAIN (BLACK)	1	
15	01550-06103	BOLT (6X10)	3	
16	09169-06026	WASHER	3	
17	61341-14A03	GUIDE, CHAIN	1	
18	09118-06106	BOLT (6X10)	3	

FIG.51

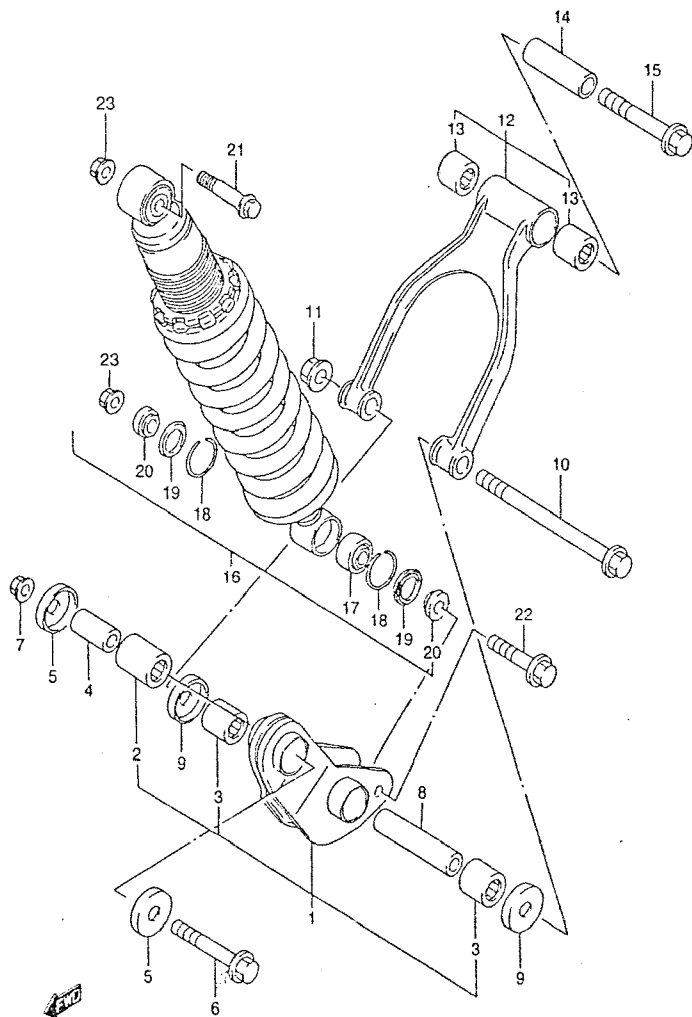


FIG.51 (1-3) REAR CUSHION LEVER

REF NO.	PART NO.	DESCRIPTION	QTY	REMARKS
1	62600-44810	LEVER SET, REAR CUSHION	1	
2	09263-20073	-BEARING (20X27X30)	1	
3	09263-20071	-BEARING (20X27X23)	2	
4	62317-44B00	SPACER, FRONT (12X20X36)	1	
5	62624-08D00	SEAL, DUST	2	
6	62658-00B20	BOLT, FRONT (12X66)	1	
7	08319-31128	NUT	1	
8	09180-14013	SPACER, CENTER (14X20X78)	1	
9	62624-08D10	SEAL, DUST	2	
10	62622-44B00	BOLT, ROD LOWER (14X145)	1	
11	08319-31148	NUT	1	
12	62600-44821	ROD SET, CUSHION LEVER	1	
13	09263-20071	-BEARING (20X27X23)	2	
14	09180-14015	SPACER (14X20X53)	1	
15	62621-44B00	BOLT, ROD UPPER (14X99)	1	
16	62100-31D00-019	ABSORBER ASSY, REAR SHOCK (BLACK)	1	
17	62175-00B00	-BEARING (10X24X14.5)	1	
18	62657-34A01	-RING	1	
19	62226-14520	-SEAL, DUST	2	
20	62684-14520	-COLLAR	2	
21	09103-10064	BOLT, UPPER (10X50)	1	
22	09103-10101	BOLT, LOWER (10X54)	1	
23	09159-10058	NUT	2	

4

FIG.52

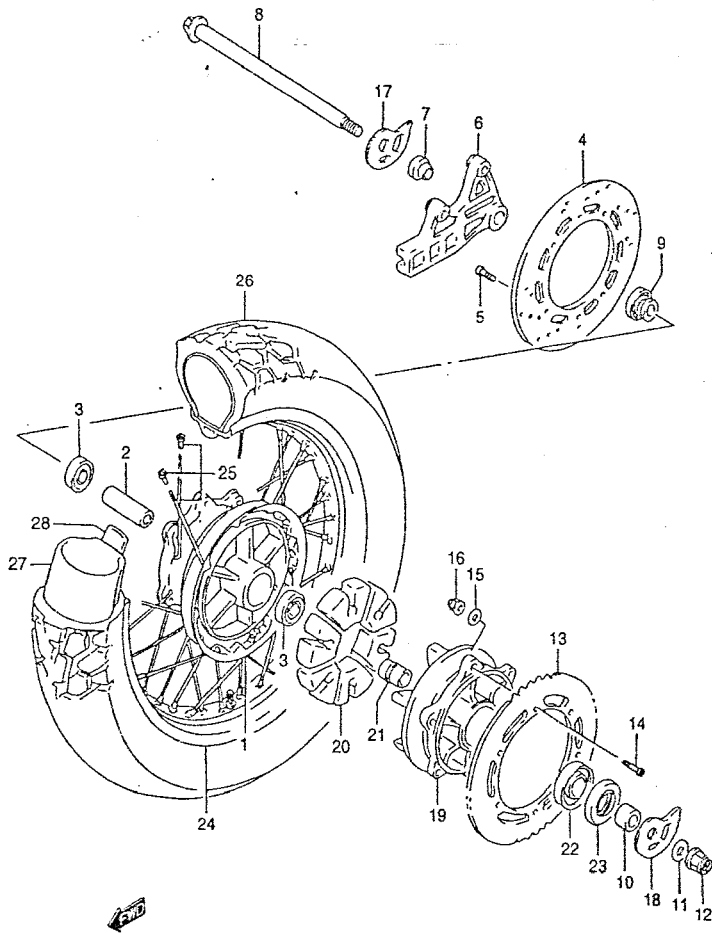
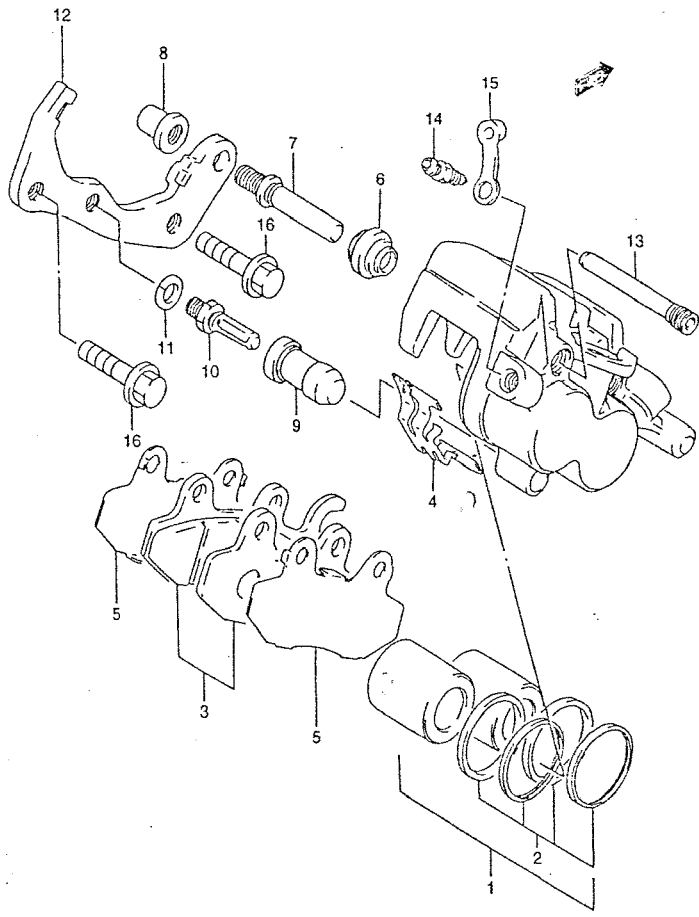


FIG.52 (I-4) REAR WHEEL

REF NO.	PART NO.	DESCRIPTION	QTY	REMARKS
1	64111-31D10	HUB, REAR WHEEL	1	
2	09180-17071	SPACER (17.5X25X78)	1	
3	08124-63037	BEARING	2	
4	69711-44B00	DISC, REAR BRAKE (BLACK)	1	
5	59421-03A10	BOLT, DISC (8X20)	6	
6	69721-31D00	BRACKET, REAR CALIPER	1	
7	09180-17096	SPACER, CALIPER BRACKET (17X21X10)	1	
8	64711-31D01	AXLE, REAR	1	
9	64750-38211	SPACER, RH	1	
10	09180-17090	SPACER, LH (17X33X22.40)	1	
11	09160-17013	WASHER	1	
12	08319-31168	NUT	1	
13	64511-31D10	SPROCKET, REAR (NT:47-525)	1	
14	09120-08010	BOLT (8X30.5)	6	
15	08322-01083	WASHER	6	
16	08319-31087	NUT	6	
17	61411-31D00	ADJUSTER, CHAIN, RH	1	
18	61421-31D00	ADJUSTER, CHAIN, LH	1	
19	64611-44B20	DRUM, REAR SPROCKET	1	
20	64651-44B01	ABSORBER, REAR HUB SHOCK	6	
21	64733-31300	RETAINER, SPROCKET DRUM	1	
22	09262-25073	BEARING (25X62X17)	1	
23	09285-33001	SEAL, DUST (33X62X7)	1	
24	65311-44B30	RIM, REAR WHEEL (MT2.50X17)	1	
25	65320-44B10	SPOKE SET, REAR WHEEL	1	
26	65110-31D00	TIRE, REAR (130/80-17 65S) BRIDGESTONE	1	
27	65200-49030	TUBE ASSY, WHEEL INNER	1	
28	65261-44B10	PROTECTOR, INNER TUBE	1	



**FIG.53**

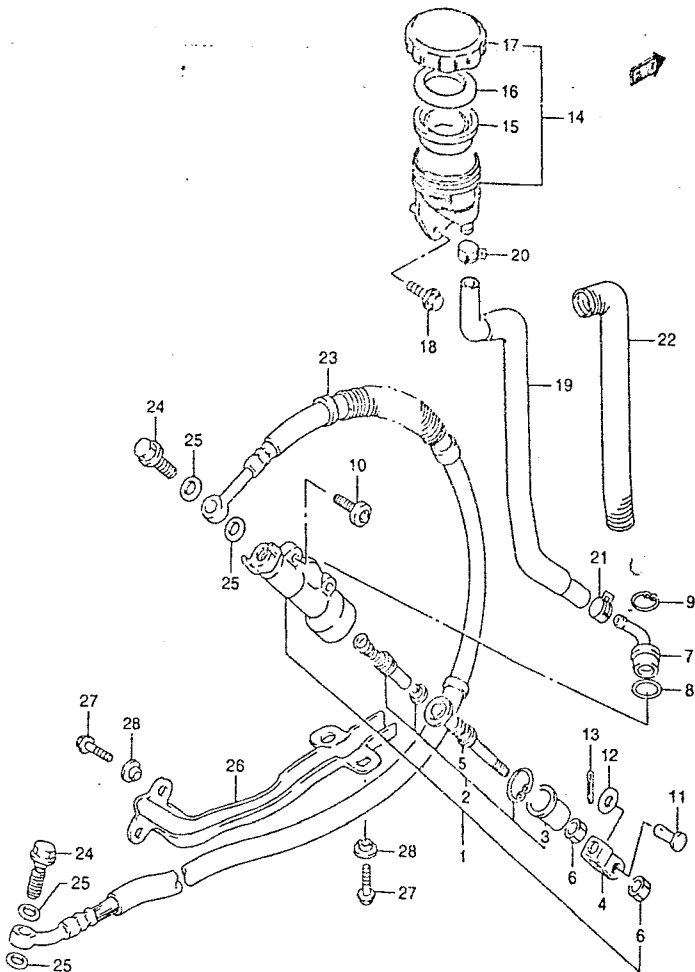


**FIG.53 (I-5) REAR CALIPER**

REF NO.	PART NO.	DESCRIPTION	QTY	REMARKS
	69100-31D01	CALIPER ASSY. REAR	1	
1	69100-31810	PISTON SET	1	
2	59300-13820	SEAL SET, PISTON	1	
3	69100-31820	PAD SET	1	
4	69115-31D10	SPRING	1	
5	69132-31D00	SHIM	2	
6	59303-14500	BOOT	1	
7	59387-00B20	BOLT	1	
8	59388-00B20	NUT	1	
9	59386-13A00	BOOT	1	
10	59382-13A00	BOLT	1	
11	59314-13A00	WASHER	1	
12	69151-31D00	BRACKET	1	
13	59345-14600	PIN	2	
14	59121-01A00	BLEEDER	1	
15	59122-01A00	CAP	1	
16	09103-10209	BOLT	2	



FIG.54 (I-6) REAR MASTER CYLINDER



REF NO.	PART NO.	DESCRIPTION	QTY	REMARKS
1	69600-31D00	CYLINDER ASSY, REAR MASTER	1	
2	69600-04820	PISTON/CUP SET	1	
3	69691-00A00	BOOT	1	
4	69692-00B21	YOKE	1	
5	69670-44B00	ROD, PUSH	1	
6	69693-05A00	NUT	2	
7	69672-00B20	CONNECTOR	1	
8	69686-34200	O RING	1	
9	69674-00B20	CIRCLIP	1	
10	09139-06067	SCREW (6X16)	2	
11	09200-08048	PIN	1	
12	09160-08074	WASHER	1	
13	04111-20158	COTTER PIN	1	
14	69740-31D00	TANK ASSY, REAR RESERVOIR	1	
15	59667-18441	DIAPHRAGM	1	
16	59668-18441	PLATE	1	
17	59669-07D00	CAP	1	
18	01550-06123	BOLT	1	
19	69730-31D00	HOSE, RESERVOIR TANK	1	
20	09401-13413	CLAMP, HOSE UPPER	1	
21	09401-12404	CLIP, HOSE	1	
22	69732-31D00	SHIELD, HOSE HEAT	1	
23	69480-31D01	HOSE, REAR BRAKE	1	
24	09360-10040	BOLT, UNION (10X1.25X22)	2	
25	09161-10009	WASHER	4	
26	69261-44B00	PROTECTOR, BRAKE HOSE	1	
27	09103-06083	BOLT (6X12)	4	
28	09169-06037	WASHER	4	

FIG.55

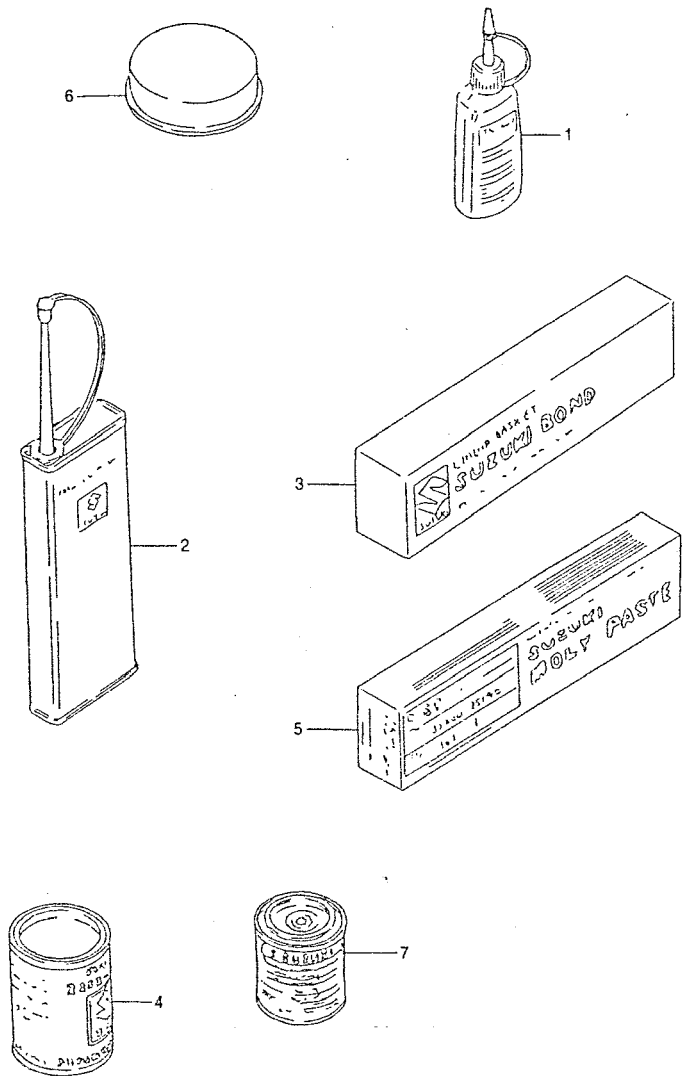


FIG.55 (I-7) OPTIONAL

REF NO.	PART NO.	DESCRIPTION	QTY	REMARKS
1-1	99000-32020	THREAD LOCK SUPER (1333B)	1	500L
1-2	99000-32030	THREAD LOCK SUPER (1303B)	1	500L
1-3	99000-32050	THREAD LOCK SUPER (1342)	1	500L
1-4	99000-32100	THREAD LOCK SUPER (1305)	1	500L
1-5	99000-32130	THREAD LOCK SUPER (1360)	1	500L
2	99000-32040	THREAD LOCK CEMENT	1	200L
3-1	99000-31110	SUZUKI BOND (1215)	1	100L
3-2	99000-31140	SUZUKI BOND (1207B) BLACK	1	100L
4	99000-25030	SUZUKI SUPER GREASE	1	150Q
5	99000-25140	SUZUKI MOLY PASTE	1	50Q
6	99000-25110	GREASE, BRAKE PAD (PBC)	1	20Q
7-1	99000-10109-019	PAINT (BLACK)	1	90Q
7-2	99000-10209-13L	PAINT (BRIGHT SILVER METALLIC)	1	90Q
7-3	99000-10209-20H	PAINT (WARM SILVER METALLIC)	1	90Q
7-4	99000-10209-33J	PAINT (PEARL NOVELTY BLACK)	1	90Q
7-5	99000-10209-22U	PAINT (CANDY ACADEMY MAROON)	1	90Q
7-6	99000-10209-Y0V	PAINT (CANDY MARINE BLUEISH GREEN)	1	90Q
7-7	99000-10209-24K	PAINT (LIGHT CHARCOAL METALLIC)	1	90Q
7-8	99000-10109-30H	PAINT (SPECIAL WHITE)	1	90Q
7-9	99000-10209-1LF	PAINT (PEARL DEEP BLUE)	1	90Q

4

# PARTS NUMBER INDEX

PART NO.	FIG.NO.-REF.NO.	PART NO.	FIG.NO.-REF.NO.	PART NO.	FIG.NO.-REF.NO.
10000		12665-44B00	7-7	13370-02D00	11-21
		12670-31D00	8-1	13370-44B00	11-21
		12675-44B00	7-8	13374-44080	11-22
		12676-44B01	7-9	13374-46710	11-17
		12681-44B00	8-4	13382-42A00	11-3
		12682-14A01	8-5	13382-44030	11-10
11100-31D00	1-1	12685-44B00	8-12	13383-32D80	11-20
11115-44B70	1-2	12695-44B00	8-2	13383-44B00	11-20
11131-31D00	1-22	12696-31D00	8-9	13387-47010	11-9
11135-44B00	1-24	12711-31D00	9-1	13394-10010	11-4
11141-44B01	1-7	12711-31D10	9-1	13411-05320	11-28
11143-06B00	15-9	12741-44E00	9-2	13413-31D00	11-40
11175-44B00	1-30	12747-44B00	9-4	13417-26D00	11-31
11177-44B01	1-31	12760-44B00-106	10-1	13417-44B00	11-5
11180-43A10	1-4	12771-44B00	10-2	13418-17C00	11-29
11186-44B01	1-26	12811-44B00	10-3	13418-17C10	11-30
11210-45B01-20H	2-1	12812-24B00	10-4	13432-47090	11-32
11241-44B01	2-10	12830-44B02	10-6	13432-95210	11-27
11301-44B41	3-1	12840-44B01	9-6	13439-17C00	11-41
11340-44B02-20H	4-1	12842-32A11	9-7	13502-01D10	11-6
11351-44B11-20H	4-17	12843-32A00	9-8	13502-45B00	11-6
11360-44B00-20H	4-26	12861-44B00	9-9	13507-44B00	11-8
11371-44B00-20H	4-32	12911-44B00	9-18	13550-13D60	11-55
11401-31811	1-41	12912-44B00	9-19	13551-44B10	11-7
11482-44B10	4-3	12920-44B00	9-20	13601-05148	11-14
11483-44B11	4-18	12931-45000	9-21	13605-20C00	11-56
11485-44B10	4-33	12932-82000	9-22	13615-43010	11-25
11610-14A10	3-21	12933-37400	9-23	13628-44B00	11-46
11610-17600	3-20	12941-31D00	9-11	13628-44B10	11-49
11970-44B39	4-15	12942-31D00	9-13	13673-44B00	11-51
12100-31D00-05D	5-24	13101-44B01	1-37	13683-17C30	11-50
12100-31D00-10D	5-24	13201-32D60	11-1	13685-44B00	11-52
12111-31D00-0F0	5-20	13201-32D70	11-1	13692-44B00	11-34
12140-44B10	5-21	13201-32D80	11-1	13700-31D01	12-1
12151-44B00	5-22	13201-32D90	11-1	13780-31D00	12-2
12161-45B00	5-2	13202-32D60	11-2	13826-44B00	12-8
12200-31D00	5-1	13202-32D70	11-2	13850-31D00	12-9
2210-31D00	5-3	13202-32D90	11-2	13877-00190	12-12
12221-45B01	5-6	13202-32D90	11-2	13881-44B00	12-7
12261-45B00	5-7	13240-31D00	11-16	13891-31D00	12-5
2548-37A00	5-11	13247-13A00	11-12	13892-31D00	12-4
2600-31D01	6-1	13247-32210	11-38	14150-31D10	13-1
12600-44B41	6-8	13249-41310	11-39	14180-31D00	13-4
2612-31D00	6-2	13258-44B00	11-15	14180-44B20	13-5
2613-31D00	6-3	13257-31D00	11-26	14181-31D00	13-2
12618-31D01	6-4	13267-31D10	11-23	14210-31D00	13-12
12651-44B01	7-1	13267-44B00	11-45	14305-31D50	13-25
2652-44B01	7-2	13268-49120	11-24	14306-31D50	13-26
2659-44B00	7-5	13268-96110	11-43	14710-31D50	13-31
12662-44B00	5-13	13271-44B00	11-44	14720-31D50	13-32
2664-44B00	5-15				

PART NO.	FIG.NO.-REF.NO.	PART NO.	FIG.NO.-REF.NO.	PART NO.	FIG.NO.-REF.NO.
14730-31D00	13-20	24231-44B02	17-3	31143-48B00	19-4
14745-31D02	13-18	24241-44B01	17-4	31145-48B00	19-12
14751-31D00	13-11	24251-44B10	17-6	31150-44B00	19-7
14765-31D00	13-40	24252-38A00	17-7	31153-49210	19-8
14771-13E00	13-22	24311-44B10	17-19	31172-46B10	19-9
14771-46E00	13-23	24321-44B20	17-23	31172-48B20	19-10
14775-31D00	13-41	24331-44B01	17-27	31173-38A00	19-3
14782-44B01	13-9	24332-27A00	17-28	31264-44110	19-13
14786-31D10	13-27	24341-44B02	17-32	31281-24B10	19-14
14796-31D10	13-28	24351-44B10	17-33	31800-49100	22-1
15100-31D00	14-23	24741-21A00	16-20	31861-31D00	22-6
15410-94350	34-10	24741-44B00	17-14	31861-48B10	22-5
16320-44B00	14-7	24742-44B00	17-16	32101-31D00	20-1
16331-44B00	14-2	24751-14A01	17-37	32102-31D00	20-2
16400-44B00	14-1	25211-44B00	18-1	32371-44B00	20-7
16440-44B01	14-10	25221-44B00	18-2	32800-32E00	22-7
16460-44B04	15-5	25231-44B00	18-3	32900-31D10	22-9
16470-44B02	15-6	25310-44B00	18-6	32910-31D00	22-19
16510-37450	14-17	25312-38A00	18-27	33410-44B00	22-11
16512-14D00	14-19	25322-31310	18-8	33510-43010	22-13
16520-44B00	14-12	25323-34201	18-9	33510-48B10	22-14
16523-38A00	14-14	25324-34201	18-10	33541-23E01	22-16
16528-38A00	14-15	25331-38A00	18-13	33541-24510	22-15
16600-31D00	15-1	25 32-38A00	18-17	33542-38B00	22-18
16629-31D00	15-4	25341-38A00	18-14	33543-44B00	22-17
16640-31D10	15-12	25350-24B00	18-22	33610-26D10	21-1
16650-31D00	15-10	25355-12C00	18-24	33624-35B00	27-2
		25380-38A00	18-26	33651-37000	21-2
		25411-44B00	18-4		21-3
		25421-44B01	18-5		21-4
		25510-44B00	18-28	33652-19B00	22-24
		25600-31D00	18-32	33810-31D00	22-4
		25652-03D00	18-33	33860-31D00	21-5
		25671-36A00	18-30	33970-31D00	22-20
		27511-31D00	17-39	33971-31D00	22-21
		27512-44B00	17-40	33972-31D10	22-23
21111-44B10	5-17	27517-37400	17-41	33973-31D00	22-22
21200-44B13	16-1	27600-32C10-116	17-43	34110-31D00	23-1
21251-32E00	16-2	27641-44B01	4-38	34111-31D00	23-5
21410-44B00	16-3			34124-49A00	23-2
21441-31D00	16-8				
21441-44B01	16-9			34131-48B10	23-8
21451-44B00	16-10			34132-17C00	23-9
21451-49200	16-11			34170-31D00	23-12
21462-31D00	16-12			34196-32C00	23-7
23165-31D00	16-15			34199-31D00	23-14
23261-44B00	16-17	31100-31D01	19-1	34210-31D00	23-3
23271-31D00	16-19	31130-48B00	19-11	34211-31D00	23-6
24121-44B10	17-1	31131-48B00	19-2	34910-31D01	23-26
24131-44B00	17-18	31132-48B00	19-5	34938-14D30	23-28
24221-44B20	17-2	31135-65010	19-6	34950-31D00	23-4

PART NO.	FIG.NO.-REF.NO.	PART NO.	FIG.NO.-REF.NO.	PART NO.	FIG.NO.-REF.NO.
35100-31D50-999	24-1	37721-44B00	18-41	45220-20A01	43-11
35121-31D00	24-4	37740-31D00	27-10	45255-02100	43-5
35130-44B01	24-3	37840-44X50	27-13	46310-31D11-13L	32-1
35133-45230	24-8	38500-31D00	27-15	46312-31D11	32-2
35135-31D00	24-14	38610-26E00	25-21	46321-31D10	32-5
35135-45900	24-10			47111-31D00-1LF	35-1
35139-45230	24-9			47111-31D00-22U	35-1
35141-44B01	24-2	40000		47111-31D00-33J	35-1
35154-31D00	24-13			47166-31D00	35-2
35173-01440	24-15			47211-31D00-1LF	35-5
35601-29E00	25-1	41100-31D01-24K	29-1	47211-31D00-22U	35-5
35601-29E30	25-1	41540-31D01	29-25	47211-31D00-33J	35-5
35603-29E90	25-9	41550-31D00	29-26	47311-31D00-1LF	35-14
35612-17C20	25-2	41890-44902-019	29-5	47311-31D00-22U	35-14
35613-27A00	25-3	41911-44300-019	29-2	47311-31D00-33J	35-14
35621-31D00	25-11	41950-44800-019	29-9		
35623-27A00	25-4	41990-44802-019	29-6	50000	
	25-12	42310-31D00-019	30-1		
35627-27A02	25-6	42511-44300-30H	29-12		
		43110-44B21	30-6		
35627-43010	25-14	43120-44B00	30-7	51103-31D00	44-
35652-17C20	25-10	43251-44B00-24K	27-11	51104-31D00	44-
35710-31D00	26-1	43510-44B10-019	31-1	51117-14200	44-20
35712-31D00	26-2	43520-44B10-019	31-2	51120-31D00	44-14
		43550-44B10-019	31-3	51121-40C00	44-15
35713-31D00	26-3	43560-44B10-019	31-4	51130-31D00	44-1
35725-40511	25-5	43600-31D01-13L	31-13	51138-44B00	44-21
	25-13	43610-31D01	31-15	51140-31D00	44-2
35761-38A31	26-16	43612-44B00	31-16	51146-31D00	44-11
35766-38A30	26-17	43700-31D01-13L	31-14	51147-14200	44-9
35910-31D00	26-11	43910-27C11	29-16	51148-14200	44-10
35910-31D10	26-11	43911-01B10	29-17	51153-4330	44-5
35912-38A20	26-13	43916-44B00	29-21	51156-14200	44-7
35913-38A30	26-14	44110-31D14-019	33-1	51158-14200	44-4
35917-30B00	26-12	44201-01832	33-4	51167-40C00	44-3
35927-00A10	26-19	44267-31D00	33-14	51171-31D00	44-16
35970-12D00	26-23	44268-31D00	33-15	51172-14200	44-17
35977-12D00	26-25	44269-31D00	33-16	51173-14330	44-6
35997-12D00	26-26	44300-31D01	34-1	51176-14520	44-18
36118-42A60	24-5	44421-31D00	34-4	51177-14330	44-12
36389-31D00	23-20	44511-12D00	33-6	51195-06C00	44-8
36383-31D00	23-21	44512-31D00	33-12	51196-31D00	44-13
36394-31D00	23-23	44513-31D00	33-11	51310-31D00	45-7
36510-31D50	27-1	44520-31D00	33-2	51328-31D00	45-6
36740-31D00	27-6	44541-31D00	33-7	51351-31D00	44-19
37100-12D11	27-8	45100-31D02-A4D	43-1	51353-24B00	45-8
37146-26C10	27-19	45119-31D00	43-10	51356-24B01	45-9
37200-31D30	29-1	45149-31D00	43-4	51410-31D00	45-1
37400-31D30	28-3	45210-22A00	43-2	51571-01B20-1LU	44-22
37720-44B00	18-37	45213-13B01	43-7	51575-01B20	44-25

PART NO.	FIG.NO.-REF.NO.	PART NO.	FIG.NO.-REF.NO.	PART NO.	FIG.NO.-REF.NO.
51576-31D00	44-23	57620-49111	39-3		
51577-01B20	44-24	58200-44B02	37-11		
51631-40200	45-5	58273-31D00	37-12	60000	
51643-40200	45-4	58294-15D00	37-13		
53110-31D30-33J	36-1	58300-31D10	37-16		
53210-44B00	36-3	58400-31D11	37-18	61000-31D02-13L	50-1
53311-44B20-291	36-2	58490-31D00	37-19	61211-12D10	50-7
54111-31D01	46-1	58900-31D10	37-15	61251-32410	50-4
54600-14D00	46-8	59112-44B00	47-5	61262-14A00	50-6
54711-14D00	46-6	59116-33D00	47-7	61273-31D00	50-10
54731-44B00	46-2	59121-01A00	53-14		
54751-14D00	46-7	59121-18410	47-8	61275-31D00	50-11
55110-31D00	46-14	59122-01A00	53-15	61282-14A00	50-3
55156-66310	47-9	59141-44B01	47-10	61311-36A00	50-14
55200-16510	46-15	59220-31D10	46-9	61341-14A03	50-17
				61348-14C00	13-43
55261-14540	46-16	59231-31D10	46-11	61411-31D00	52-17
55311-44B00	46-17	59240-31D10	48-4	61421-31D00	52-18
55320-31D00	46-18	59243-31D00	48-7	62100-31D00-019	51-16
55412-38A00	46-19	59250-31D00	48-5	62175-00B00	51-17
55413-38A00	46-19	59260-31D00	48-9	62226-14520	51-19
56110-44B31-20H	37-1	59266-31D00	48-6	62317-44B00	51-4
56200-11831	37-2	59300-13B20	53-2	62600-44B10	51-1
56211-27200-291	45-11	59300-33D10	47-	62600-44B21	51-12
56271-49400	37-5	59300-33B30	47-1	62621-44B00	51-15
56274-05350	37-4	59300-33B40	47-2	62622-44B00	51-10
56275-34401	37-6	59300-33B60	47-3	62624-08D00	51-5
56500-31D10	37-9	59303-14500	53-6	62624-08D10	51-9
56500-31D21	37-7	59313-36500	47-6	62657-34A01	51-18
56600-31D10	87-10	59314-13A00	53-11	62658-00B20	51-6
56600-31D21	37-8	59315-33D00	47-4	62684-14520	51-20
57100-14D00	38-2	59345-14600	53-13	63110-31D00	40-2
57110-12D11	38-1	59382-13A00	53-10	63110-31D20	40-2
57211-12D00	39-1	59386-13A00	53-9	63112-31D00	40-1
57341-05D00-019	38-11	59387-00B20	53-7	63120-31D00	40-3
57421-13001	38-5	59388-00B20	53-8	63192-31D01	40-4
57431-05D00	38-6	59421-03A10	46-10		
57433-09F00	38-7			63331-44B21	40-12
57441-44400	39-8			64111-31D10	52-1
57442-44B00	39-9	59480-31D01	48-3	64511-31D10	52-13
57460-17C00	38-8	59600-04B10	49-1	64611-44B20	52-19
		59600-31D00	49-	64651-44B01	52-20
57465-17C00	39-9	59666-44300	49-2	64711-31D01	52-8
57465-18601	39-12	59667-18441	54-15	64733-31300	52-21
57481-33010	39-14	59667-44B00	49-3	64750-38211	52-9
57484-49110	39-15	59668-18441	54-16	65110-31D00	52-26
57500-44B01	39-2	59669-07D00	54-17	65200-49030	52-27
57531-44B01	39-4	59671-36500	49-6	65261-44B10	52-28
57532-44B00	39-5	59675-19C00	49-7	65311-44B30	52-24
57533-44B00	39-6	59748-15400	49-8	65320-44B10	52-25
57541-31D00-019	39-17	59749-15400	49-9	69135-31D10-G5L	35-3
57541-49100	39-13			69135-31D10-G5M	35-3

PART NO.	FIG.NO.-REF.NO.	PART NO.	FIG.NO.-REF.NO.	PART NO.	FIG.NO.-REF.NO.
58135-31D10-M6W	35-3	69730-31D00	54-19	99000-32020	55-1
68145-31D10-G5L	35-6	69732-31D00	54-22	99000-32030	55-1
68145-31D10-G5M	35-6	69740-31D00	54-14	99000-32040	55-2
68145-31D10-M6W	35-6			99000-32050	55-1
68319-33E01	41-17			99000-32100	55-1
68319-33E21	41-17			99000-32130	55-1
68319-33E31	41-17			99011-31D56-042	41-20
68319-33E41	41-17	90000			
68319-33E51	41-17				
68319-33E71	41-17				
68319-33E81	41-17	94401-31D30-Y0V	41-1		
68332-44B10	41-19	94401-31D30-1LF	41-1		
68332-44B30	41-19	94401-31D30-33J	41-1	00000	
68612-48B00	41-18	94402-31DA0-1LF	41-2		
68612-48B10	41-18	94402-31D80-22U	41-2		
68612-48B20	41-18	94402-31D80-33J	41-2	01204-06204	39-10
68690-31D50-G5N	41-3	94403-31DA0-1LF	41-5	01421-06208	2-8
68690-31D50-G5P	41-3	94403-31D80-22U	41-5	01500-05163	8-10
68690-31D50-M6Y	41-3	94403-31D80-33J	41-5	01500-06103	17-38
68581-31D50-G5R	41-4	94413-31D00-1LF	41-8	01500-06163	16-20
6861-31D50-G5S	41-7	94413-31D00-22U	41-8		42-39
	41-4	94413-31D00-33J	41-8	01500-06203	18-34
	41-7	94423-31D00	41-9	01500-12203	3-13
6861-31D60-M6Z	41-4	94424-31D00	41-10	01547-05103	20-4
	41-7	94450-31D01	41-11		20-8
68690-31D50-G5N	41-6	94451-31D01	41-13	01547-06103	48-13
68690-31D50-G5P	41-6	94452-31D00	41-15	01547-06163	4-37
68690-31D50-M6Y	41-6	94460-31D01	41-12	01547-05167	14-22
69100-31D01	53-	94461-31D01	41-14	01547-06203	19-17
69100-31810	53-1	94464-32B00	42-22	01547-06207	48-10
69100-31820	53-3	94510-31D00	42-1	01547-06253	4-36
69115-31D10	53-4	94541-31D00	42-6	01547-06257	4-10
69132-31D00	53-5	94593-31D01	42-4		4-22
69142-45000	47-11	94611-31D00	41-16		4-28
69151-31D00	53-12	94635-19C00	29-24	01547-06303	4-35
69211-44B00	52-4	95700-31850	43-13	01547-06307	4-9
69261-44B00	54-26	99000-10109-019	55-7		4-27
69480-31D01	54-23	99000-10109-30H	55-7	01547-06357	4-21
69600-04B20	54-2	99000-10209-Y0V	55-7	01547-06403	3-3
69600-31D00	54-1	99000-10209-1LF	55-7	01547-06407	4-8
69669-24A01	49-4	99000-10209-13L	55-7	01547-06457	4-7
69670-44B00	54-5	99000-10209-20H	55-7		4-20
6972-00B20	54-7	99000-10209-22U	55-7	01547-06507	4-6
69674-00B20	54-9	99000-10209-24K	55-7	01547-06607	3-4
69686-34200	54-8	99000-10209-33J	55-7		4-5
69689-49300	49-5	99000-25030	55-4	01547-06653	3-5
69691-00A00	54-3	99000-25110	55-6	01547-06753	3-6
69692-00B21	54-4	99000-25140	55-5	01550-05103	1-25
69693-05A00	54-6	99000-31110	55-3		13-37
69721-31D00	52-6	99000-31140	55-3		37-20

PART NO.	FIG.NO.-REF.NO.	PART NO.	FIG.NO.-REF.NO.	PART NO.	FIG.NO.-REF.NO.
01550-06103	48-8	02112-06553	24-12	07130-08557	32-3
	50-15	02112-16203	1-39	08113-62027	45-3
01550-06123	13-29	02112-34063	23-25	08123-62027	46-4
	27-16	02112-34123	23-10	08124-63037	52-3
	54-18	02112-36103	18-42	08130-62007	16-16
01550-06163	1-9	02112-36203	27-14	08211-06141	18-25
	13-15	02112-75123	14-13	08211-10221	6-7
	14-24	02112-75127	12-3		29-22
	26-20	02112-75163	11-33	08211-16341	50-5
01550-06203	1-32		18-38	08211-17241	14-9
	14-16	02122-06123	17-15	08211-25351	17-9
	36-5		17-17	08211-40523	6-11
	42-8	01550-06253	18-15	08212-06201	43-8
	1-10	02122-06303	43-12	08212-12201	18-35
	32-7	02122-06353	13-21	08212-14181	14-11
01550-06303	35-15	02122-06453	37-3	08221-10185	14-4
01550-06353	1-11	02142-05103	42-35	08310-00043	23-11
01550-06407	1-12		42-37	08310-00063	26-22
01550-08163	2-6	02142-05107	38-12		30-11
	22-25	02142-05123	36-6		40-16
01550-08203	33-3	02142-06123	27-5	08310-00087	11-11
01550-08253	40-8		37-14	08313-10067	39-18
01550-10163	2-12	02142-06127	45-12	08313-20067	4-30
01550-10253	47-12	02142-06163	22-10	08313-20083	42-3
01560-08303	33-9			08316-10063	18-18
01570-06103	25-18	02142-06203	40-13		23-30
	29-27	02162-05103	15-11		26-10
	48-12	03211-04103	23-22	08316-10067	2-9
01570-08253	13-3	03211-04207	26-4	08316-10083	1-20
					9-15
01570-08353	45-12	03241-05123	35-12	08316-10103	1-19
01570-08453	42-2	04111-20158	31-19		25-8
01570-10453	45-10		54-13		25-16
01580-06103	13-10	04111-20208	31-6	08316-10123	7-10
01580-06163	42-7	04211-09129	4-34	08316-20053	26-24
02112-04103	9-16	04211-13189	1-8	08316-20063	43-9
02112-05103	5-12		2-11	08319-21063	39-7
02112-05127	11-13		3-2	08319-21068	38-15
	11-47		4-4		39-22
02112-05163	23-27		4-19	08319-21168	50-9
	24-6	04221-04089	18-7	08319-31053	50-13
02112-05203	38-4	04221-05109	9-3	08319-31063	42-12
02112-05253	28-2	07120-06163	34-2	08319-31083	1-35
02112-05305	28-4	07130-06163	15-7	08319-31087	32-4
02112-05455	24-11	07130-06203	10-7		40-9
02112-06123	7-6	07130-06303	20-3		52-16
	8-3	07130-06553	10-8	08319-31103	29-23
	18-21	07130-08127	3-11	08319-31128	51-7
02112-06203	22-12	07130-08163	6-10	08319-31148	51-11
02112-06253	14-6	07130-08303	8-7	08319-31168	52-12

PART NO.	FIG.NO.-REF.NO.	PART NO.	FIG.NO.-REF.NO.	PART NO.	FIG.NO.-REF.NO.
08321-01083	1-36 8-8 29-11	09116-06016 09116-06013 09116-06024	43-6 29-13 12-13	09160-05019 09160-06028 09160-06056	39-20 13-34 26-9
08322-01063	39-11	09116-06093	29-28	09160-06082	42-30
08322-01083	52-15		42-13		13-7
08322-01163	50-8	09116-06115	23-15	09160-06088	26-21
08331-31106	14-5	09116-06167	23-29		39-19
08331-31126	18-36		24-18		42-11
08331-31286	17-26	09116-06168	16-14	09160-06092	40-15
08331-41286	4-40	09116-08106	15-2	09160-06130	38-14
08361-35068	19-16	09118-06067	40-5	09160-07015	42-28
	22-3	09118-06106	50-18	09160-08074	54-12
09100-06009	30-10	09118-08145	13-13	09160-10060	1-21
09103-06033	1-14		13-42	09160-10124	31-11
09103-06052	1-15	09120-08010	52-14	09160-10128	31-10
09103-06067	1-16	09125-05066	38-3	09160-17013	52-11
09103-06083	54-27	09128-06013	22-2	09160-19024	31-17
09103-06102	1-6	09134-06012	1-23	09160-22068	16-7
09103-08083	29-18	09135-06013	16-21	09160-25059	18-16
09103-08222	13-24	09136-05034	32-6	09160-41002	5-5
09103-08224	1-17	09136-06081	35-8	09161-05010	42-19
09103-08293	29-3	09139-05021	42-20	09161-05017	42-24
09103-08332	1-34		42-23		42-34
	29-7	09139-05022	42-18	09161-07009	42-17
09103-10051	3-18	09139-05025	42-33		42-26
09103-10064	51-21	09139-05044	42-16	09161-10009	48-2
09103-10101	51-22		42-25		54-25
09103-10122	3-15		42-27	09162-12006	8-14
09103-10190	3-16	09139-06026	27-9	09164-12018	9-10
09103-10197	29-20	09139-06050	42-29	09164-20062	16-5
09103-10209	53-16	09139-06067	13-33	09164-22007	5-19
09103-10238	3-17		54-10	09164-40003	5-14
09103-10255	31-9	09139-06076	13-6	09167-25021	17-8
09103-10256	13-14		13-30	09167-28001	17-29
09103-14001	20-5	09140-04006	26-18	09167-28002	17-30
09106-05017	33-5	09140-05006	8-11	09168-06004	16-22
09106-06075	43-14	09140-12021	8-15	09168-06023	1-18
09106-07012	2-4	09140-20001	16-4		2-7
09106-08005	8-6	09140-22012	5-18	09168-06024	4-23
09106-08102	30-8	09148-05038	35-13	09168-06121	13-8
09106-08120	31-20	09159-08103	29-4		13-38
09106-08121	31-21		29-8	09168-07003	2-5
09106-08122	31-22	09159-10058	3-19	09168-08008	3-12
09108-06107	4-29		51-23		10-5
09108-08206	1-13	09159-10097	30-5	09168-10031	2-13
09108-10094	2-2	09160-05077	42-21		
09108-10103	2-3		42-36	09168-12002	3-14
09111-06039	17-42		42-38	09168-14002	1-28
09111-06045	9-5	09160-05043	36-13		4-12
09111-10048	30-4	09160-05045	24-7	09169-06025	50-16
				09169-06037	54-28

PART NO.	FIG.NO.-REF.NO.	PART NO.	FIG.NO.-REF.NO.	PART NO.	FIG.NO.-REF.NO.
09169-05041	36-4 40-7 46-13	09251-04009 09251-05003 09262-12001	14-3 18-11 4-39	09320-06047 09320-08501 09320-09016	23-18 42-15 26-7 29-14 35-4
09169-05055	39-21 40-14	09262-20059 09262-20106	17-34 7-3		
09169-06065	29-30	09262-20121	7-4		35-7
09169-06068	50-12	09262-22028	17-12		42-32
09169-06071	42-40	09262-25006	18-19	09320-09018	24-20
09169-20005	16-6	09262-25066	17-35	09320-09026	23-19
09169-28001	17-31	09262-25073	52-22	09320-09502	13-36
09180-06038	29-29	09262-40007	5-8	09320-12031	35-17
	42-9	09262-45007	5-9		13-19
09180-06248	23-17	09263-17007	8-13	09320-12043	13-19
	26-8	09263-17026	17-13	09321-06028	26-27
09180-06263	13-35	09263-20071	51-3	09321-10012	43-2
				09321-10018	13-39
09180-06264	29-15		51-13	09329-10001	43-3
09180-06307	23-16	09263-20073	51-2	09352-53103-600	34-5
	35-9	09263-22022	50-2		34-11
	42-14	09263-35024	6-9	09352-70103-003	33-13
	42-31	09263-41005	5-4	09355-30705-600	11-48
09180-06310	24-19			09355-50105-600	11-53
09180-08151	13-16	09265-25019	45-3	09355-70125-600	34-12
09180-08168	13-17	09265-30009	45-2	09359-50822-600	34-3
09180-08190	35-16	09280-04004	3-8		34-14
09180-08193	15-3		4-14		34-14
		09280-11004	3-10	09360-10040	48-1
09180-08204	33-10				54-24
09180-14013	51-8	09280-12008	15-8		34-8
09180-14015	51-14	09280-15007	14-18	09364-06008	14-8
09180-17071	52-2	09280-17003	4-16	09380-17001	17-10
09180-17090	52-10	09280-33004	4-25	09380-25003	17-11
		09280-35005	19-15	09380-25013	17-11
09180-17096	52-7				1-3
09181-08111	29-19	09280-40010	1-38	09381-10003	5-23
09181-20223	17-21	09280-72001	14-20	09381-26002	34-6
09181-22223	17-22	09282-10014	9-12	09401-08411	34-15
09181-28167	17-25	09282-16002	5-10		34-16
		09283-25076	17-36	09401-10409	34-7
09200-06041	31-18			09401-10411	34-9
09200-08048	54-11	09284-22004	46-5		34-13
09200-10008	31-5	09285-10004	16-18	09401-12404	54-21
09202-10006	6-5	09285-12002	18-31		54-20
09202-10010	6-6	09285-33001	52-23	09401-13413	12-11
		09289-07002	9-24	09401-14404	12-10
09206-08001	1-5			09402-52208	1-40
09209-05011	18-39	09300-22005	17-20	09402-66208	12-6
09223-04001	8-17	09300-25023	17-5	09463-06401	48-11
09241-30004	1-33	09300-28002	17-24		
09246-05006	4-2	09308-05015	25-19		
		09308-16006	42-41		
09247-14015	4-11				
09248-14005	1-27	09319-10065	31-12	09403-08405	27-18
09248-16004	3-9	09320-08013	35-10	09404-06429	18-43
09250-33010	26-28	09320-08021	29-31		25-20
09259-35015-20H	4-24		42-10	09404-06431	17-3
		09320-08029	35-11	09404-06432	11-42





## SUZUKI DR800S(U)V PARTS CATALOGUE

---

3rd Edition

Published in May, 1999

©1999 Suzuki Motor Corporation. All rights reserved.

No part of this document may be reproduced or transmitted in any form or by any means, electronic or mechanical, for any purpose, without the express written permission of Suzuki Motor Corporation.

### SUZUKI MOTOR CORPORATION

Spare Parts & Accessories Department

Hamamatsu Nishi, P.O. Box 1

432-8611 Hamamatsu, Japan

---

Reprint Prohibited ©

